

SALES SERVICE INFORMATION

Technical Materiel Corporation
Mamaroneck New York

Model TFP Transmitting Filter Panel

The Model TFP Transmitting Filter Panel is designed to accommodate up to four bandpass filters with proper input and output terminations. The filters have been specially designed to shape the output of the Model TAK-2 Tone Keyer and provide maximum sideband attenuation and minimum intermodulation.

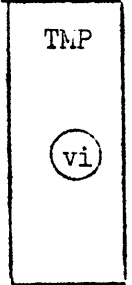
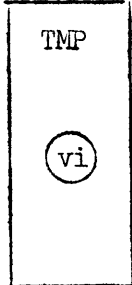
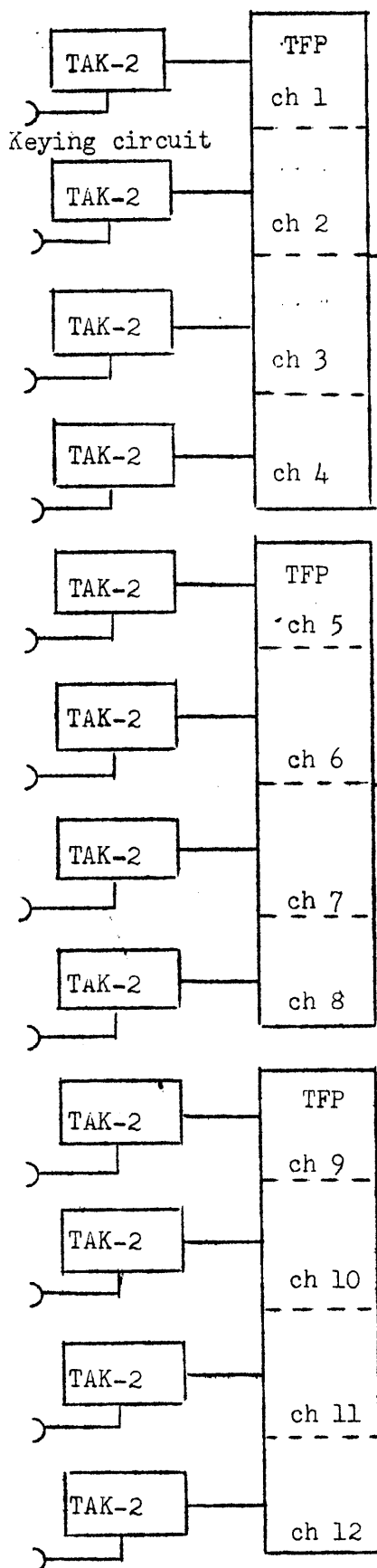
Technical Specifications:

- Keying Speeds: a. 40 dot cycles per second or,
 b. 125 dot cycles per second.
- Center Frequencies: a. 40 dot cycles per second
 595, 765, 935, 1105, 1275, 1445, 1615, 1785,
 1955, 2125, 2295, 2465 cycles per second.
- b. 125 dot cycles per second
 1785, 2465, and 3145 cycles per second.
- Cross talk between channels: Minimum of 20 db attenuation between center frequencies of adjacent filters.
- Input Impedance: 600 ohms.
- Output Impedance: 600 ohms.
- Input Level: Plus 6 dbm maximum.
- Insertion Loss: Not more than 6 db.
- Mounting: Standard WE relay rack.
- Dimensions: 3 $\frac{1}{2}$ " high x 19" wide x 7" deep.
- General: The Model TFP Transmitting Filter Panel has been designed to mount 1, 2, 3, or 4 filters. The filters are of the bridging type so that terminating resistors are not required in place of missing filters when less than four filters are used.
- Components and Construction: Equipment is manufactured in accordance with JAN specifications wherever practicable.

We reserve the right to make engineering changes in this specification if necessary.

TRANSMITTING

Up to 12 Tone Keys

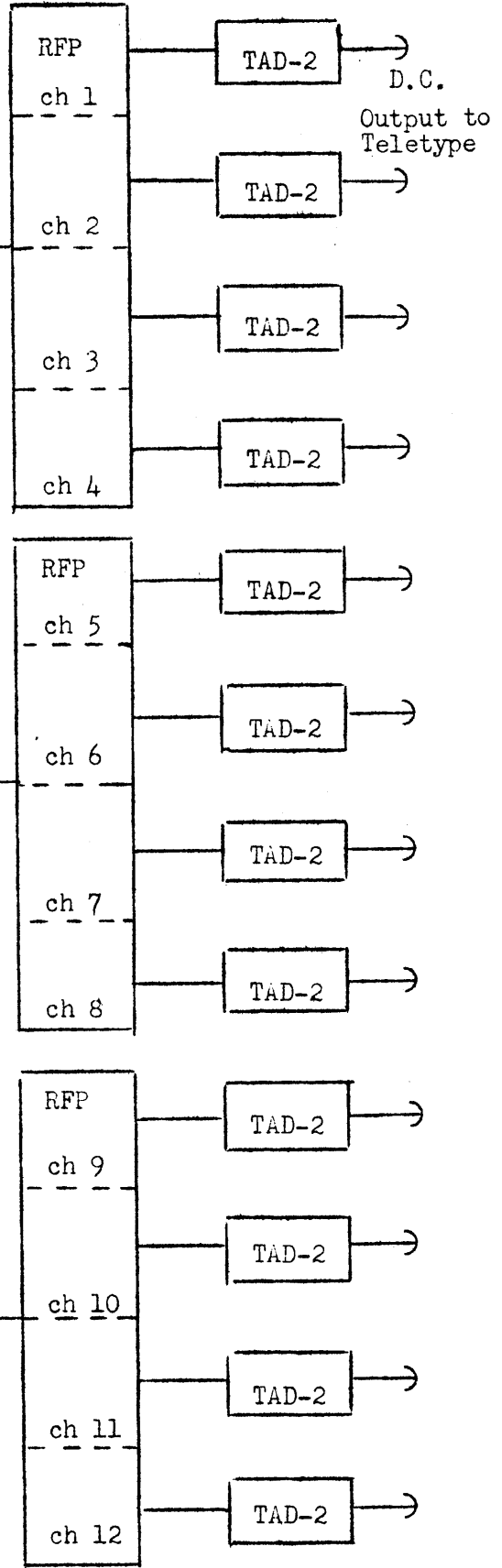


TMP Monitors either input or output of Filter units

LINE OR MICRO WAVE SYSTEM

RECEIVING

Up to 12 Demodulators



MULTI-CHANNEL TONE FREQUENCY TERMINAL SYSTEM