

TMC SPECIFICATION

NO. KIT 447

REV:

COMPILED:

dw

CHECKED:

APPD:

FB

SHEET

OF

TITLE:

KIT 447

GPT-10K BASE MOUNT SHOCK KIT

TMC SPECIFICATION

NO.

REV:

COMPILED:

CHECKED:

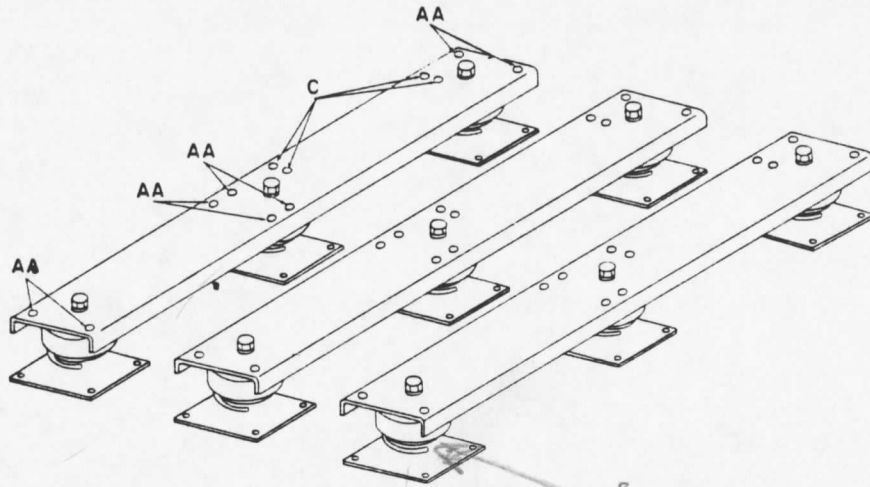
APPD:

SHEET

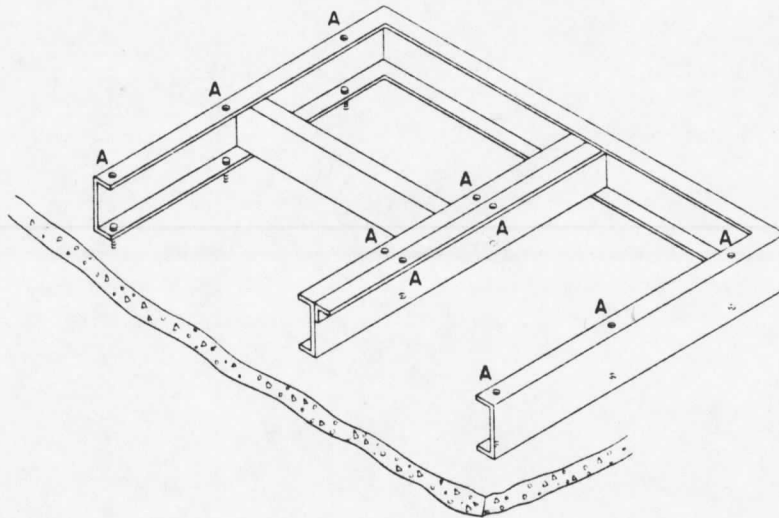
OF

TITLE:

9 Barry Shock Mounts Required

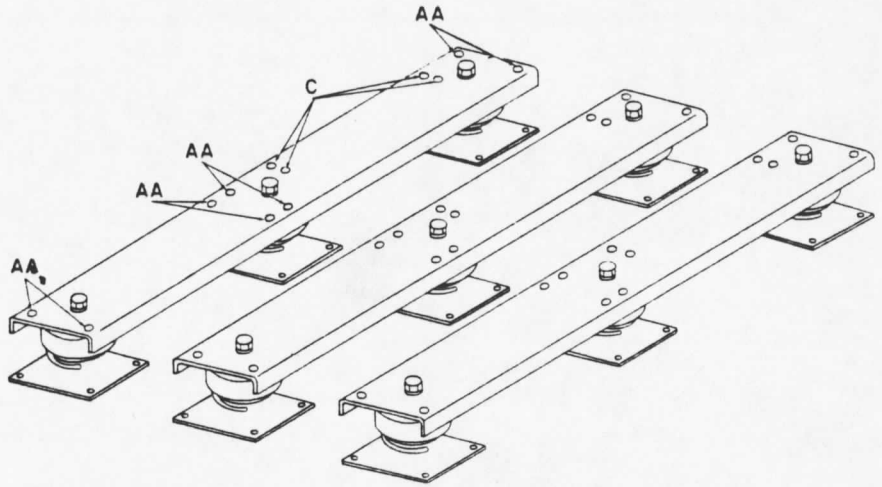


SKETCH SHOWING METHOD OF
ATTACHING NINE BARRY MOUNTS
TO GPT-10K FRAMES.

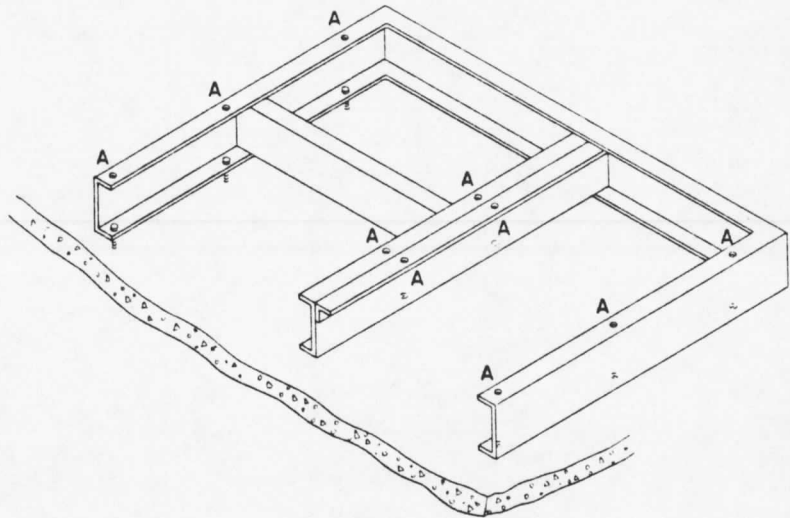


SKETCH SHOWING METHOD OF
ATTACHING BASE TO FLOORING.
(FRONT CHANNEL REMOVED)

Figure 2-3. Installation Diagram, Base Assembly,
GPT-10K (Non-Synthesized and Synthesized)

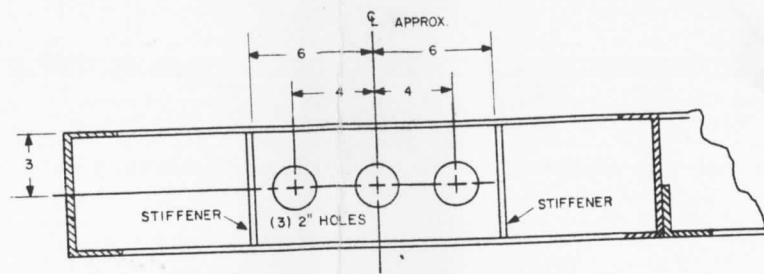
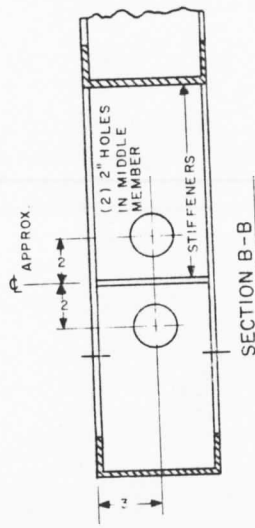
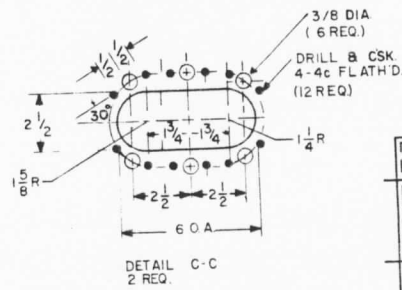
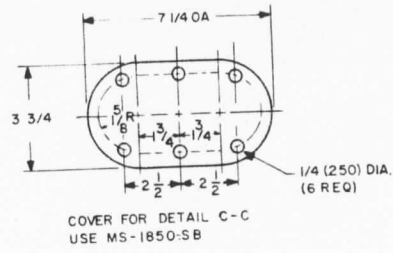


SKETCH SHOWING METHOD OF
ATTACHING NINE BARRY MOUNTS
TO GPT-10K FRAMES.

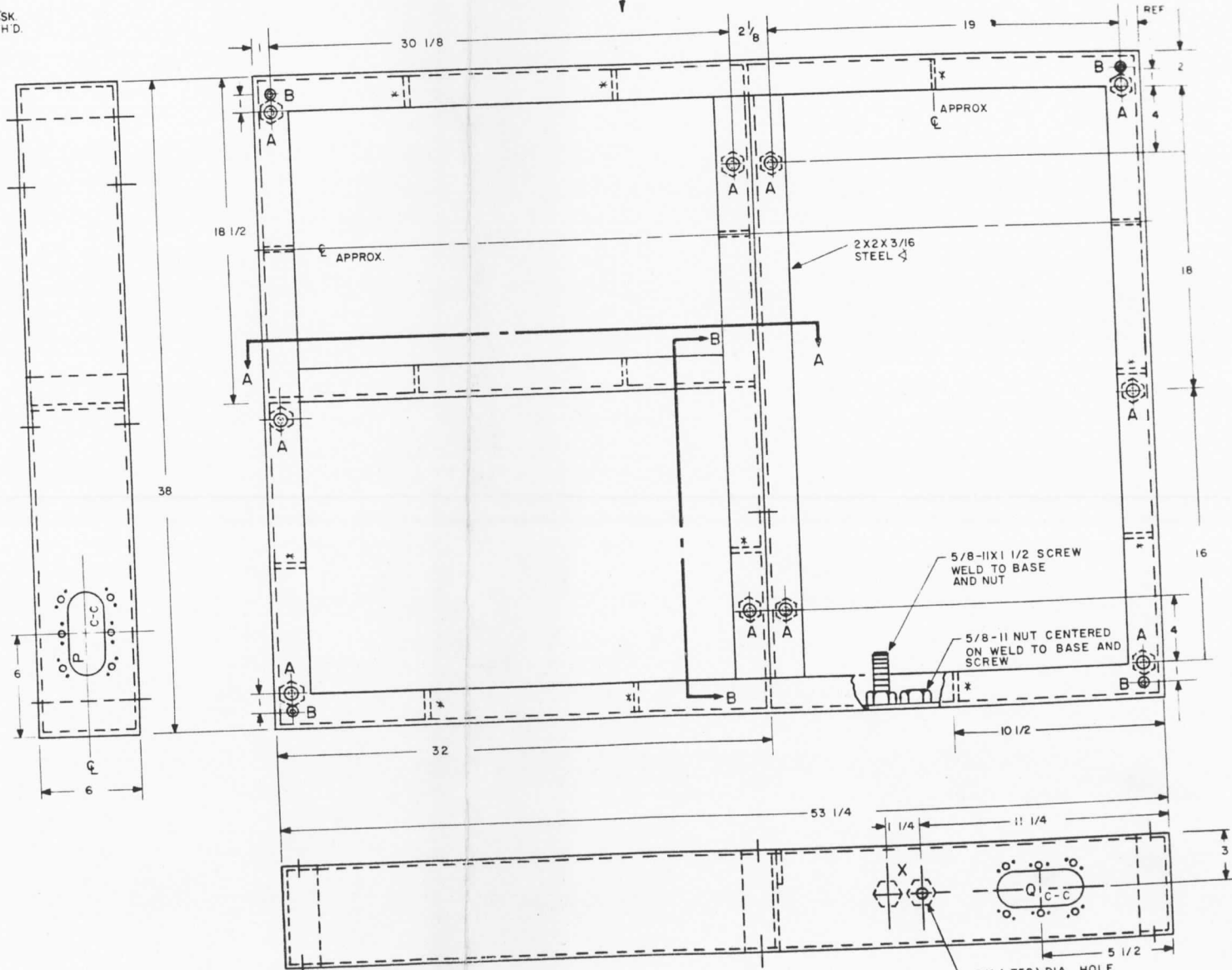


SKETCH SHOWING METHOD OF
ATTACHING BASE TO FLOORING.
(FRONT CHANNEL REMOVED)

Figure 2-3. Installation Diagram, Base Assembly,
GPT-10K (Non-Synthesized and Synthesized)

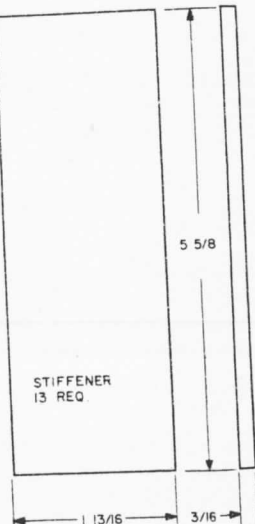
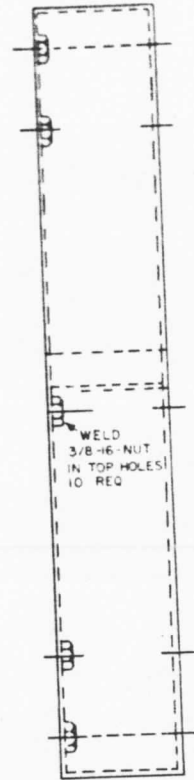


SECTION A-A



FINISH NOTE:
 DEGREASE AND PREPARE SURFACE FOR FOLLOWING
 S114 ZINC CHROMATE
 S220 TMC RCAF BLUE, GRAY, SMOOTH ENAMEL
 OR PAINT AND PRIME TO CUSTOMERS SPEC

- NOTES
- 1. 7/16-14 UNF DIA. 18 REQ
 - 2. 24 STUDS TO ANCHOR SHIELD TO SHOCK MOUNTS (SEE FIG. 2-4) 4 REQ
 - 3. 3/4 DIA. TAP FOR 5-32 4 REQ



* DENOTES POSITION OF STIFFENERS ON BASE.