

★
MASTER COPY
DO NOT DESTROY

UNCLASSIFIED

TECHNICAL INFORMATION

for

TAKE-UP REEL ASSEMBLIES

MODELS CK-2, CK-2A



THE TECHNICAL MATERIEL CORPORATION
MAMARONECK, N.Y.

OTTAWA, ONTARIO





THE TECHNICAL MATERIEL CORPORATION

C O M M U N I C A T I O N S E N G I N E E R S

700 FENIMORE ROAD

MAMARONECK, N. Y.

W a r r a n t y

The Technical Materiel Corporation, hereinafter referred to as TMC, warrants the equipment (except electron tubes,* fuses, lamps, batteries and articles made of glass or other fragile or other expendable materials) purchased hereunder to be free from defect in materials and workmanship under normal use and service, when used for the purposes for which the same is designed, for a period of one year from the date of delivery F.O.B. factory. TMC further warrants that the equipment will perform in a manner equal to or better than published technical specifications as amended by any additions or corrections thereto accompanying the formal equipment offer.

TMC will replace or repair any such defective items, F.O.B. factory, which may fail within the stated warranty period, PROVIDED:

1. That any claim of defect under this warranty is made within sixty (60) days after discovery thereof and that inspection by TMC, if required, indicates the validity of such claim to TMC's satisfaction.
2. That the defect is not the result of damage incurred in shipment from or to the factory.
3. That the equipment has not been altered in any way either as to design or use whether by replacement parts not supplied or approved by TMC, or otherwise.
4. That any equipment or accessories furnished but not manufactured by TMC, or not of TMC design shall be subject only to such adjustments as TMC may obtain from the supplier thereof.

Electron tubes* furnished by TMC, but manufactured by others, bear only the warranty given by such other manufacturers. Electron tube warranty claims should be made directly to the manufacturer of such tubes.

TMC's obligation under this warranty is limited to the repair or replacement of defective parts with the exceptions noted above.

At TMC's option any defective part or equipment which fails within the warranty period shall be returned to TMC's factory for inspection, properly packed with shipping charges prepaid. No parts or equipment shall be returned to TMC, unless a return authorization is issued by TMC.

No warranties, express or implied, other than those specifically set forth herein shall be applicable to any equipment manufactured or furnished by TMC and the foregoing warranty shall constitute the Buyers sole right and remedy. In no event does TMC assume any liability for consequential damages, or for loss, damage or expense directly or indirectly arising from the use of TMC Products, or any inability to use them either separately or in combination with other equipment or materials or from any other cause.

*Electron tubes also include semi-conductor devices.

TAKE-UP REEL ASSEMBLY, MODEL CK-2

TAKE-UP REEL ASSEMBLY, MODEL CK-2A is the same as Model CK-2, with the exception of the drive assembly.

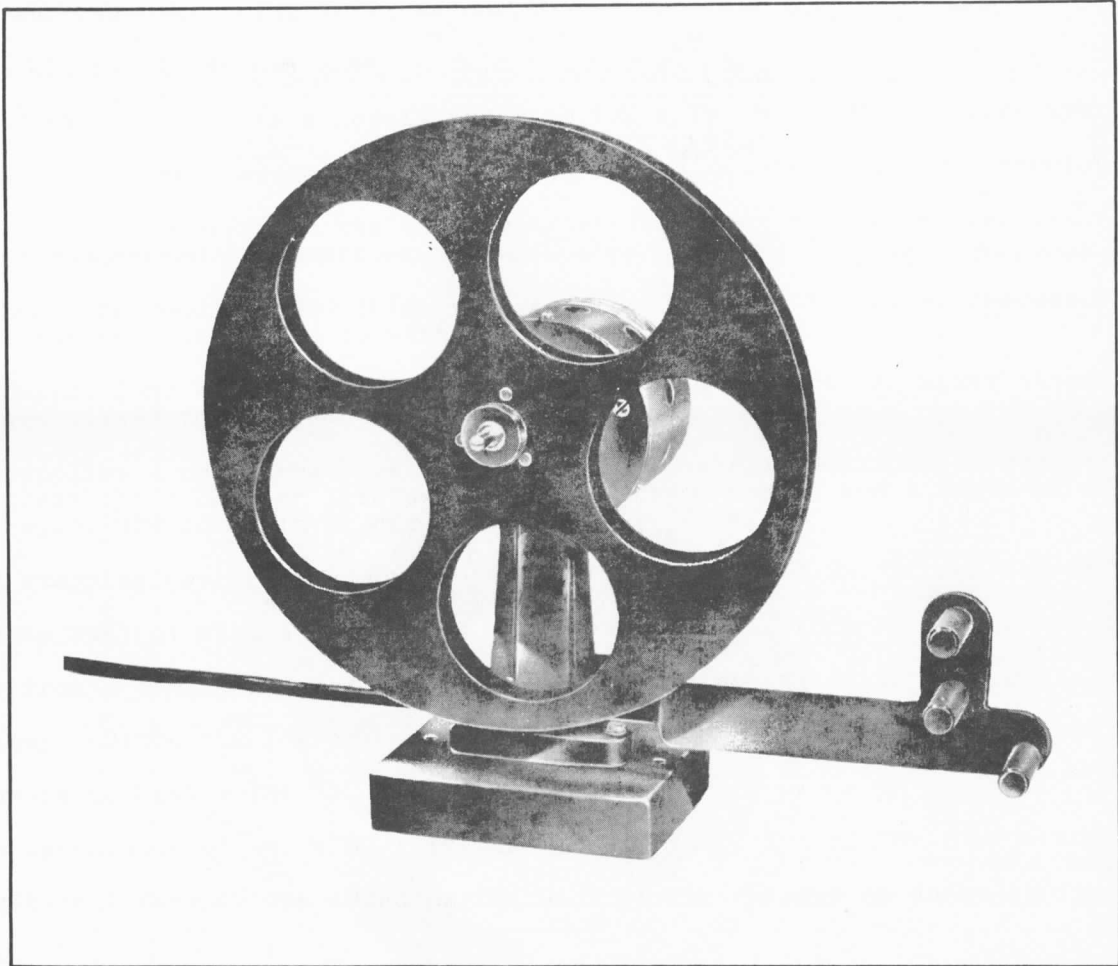
The drive assembly for Models CK-2 and CK-2A are:

<u>CK-2</u>	<u>CK-2A</u>
A269	A269-2



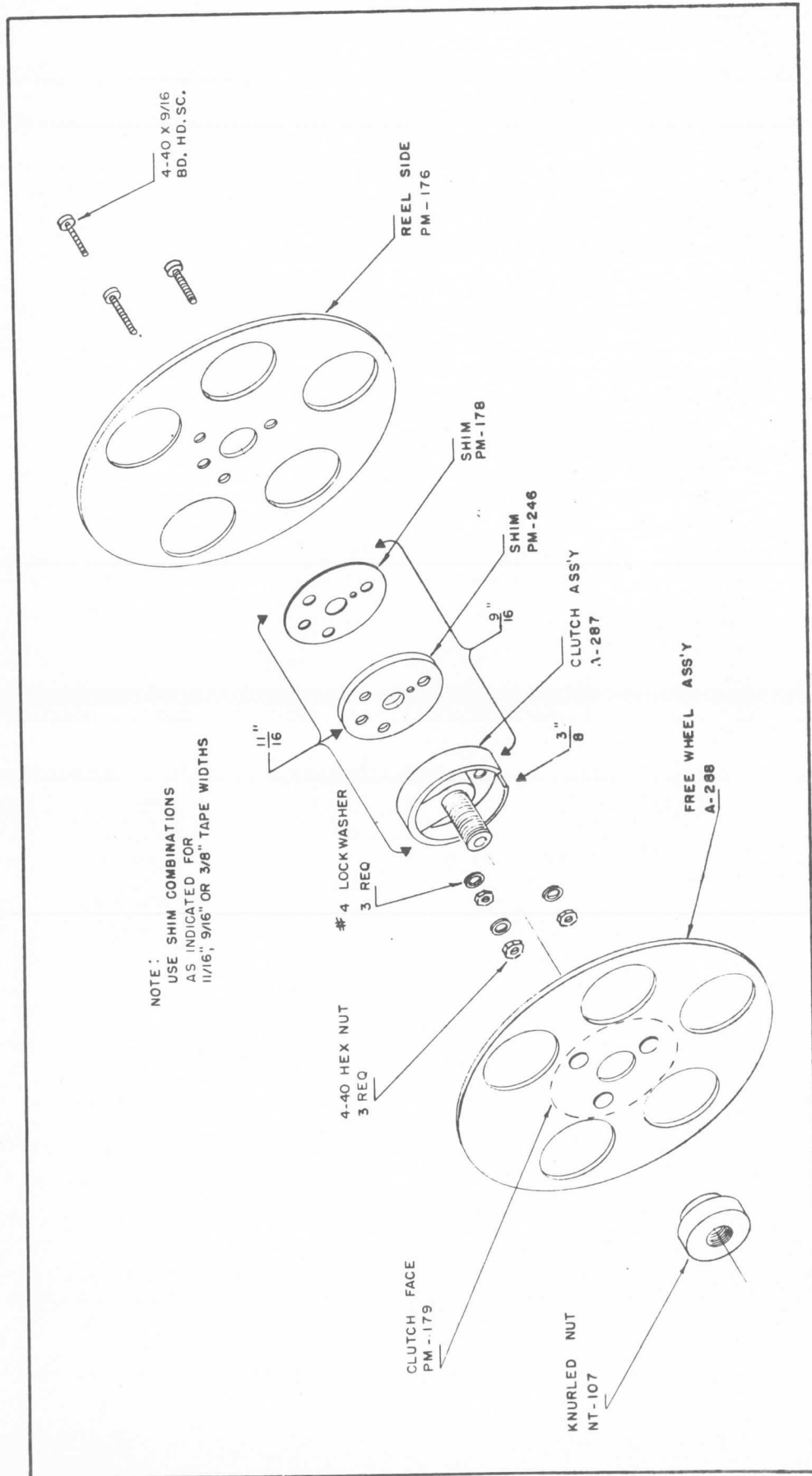
SALES SERVICE BULLETIN NUMBER 165A

Take-Up Reel Assembly, Model CK-2



The TMC TAKE-UP REEL ASSEMBLY, MODEL CK-2 is universally used in torn tape relay center installations for the winding and storing of tape from teletype-writers, reperforators, perforators, typing reperforators, etc., and may also be used with automatic numbering systems. The design of the unit features a stall torque motor, which means that the motor will not stall under any variation of load as long as the unit is powered. The CK-2 may be either table or cabinet mounted, and can accommodate a 3/8", 9/16", and 11/16" tape width. Special widths can be supplied on request.

The reels are supplied ready for use with an 11/16" tape width, and may be adapted for 9/16" tape by removing Shim, PM-246, and for 3/8" tape by removing both Shims, PM-246 and PM-178.



Installation of Shims for use with 11/16", 9/16" or 3/8" tapes, TMC Model CK-2, Tape Take-Up Assembly.

TECHNICAL SPECIFICATIONS :

INPUT POWER: 115V, 50/60 cps.
FINISH: Black Wrinkle.
MOTOR: STALL TORQUE, 2400 RPM at full load.
CONTROL: Power ON/OFF Switch.
SIZE: 8-1/2'' high x 11'' wide x 6'' deep.
(without reel).

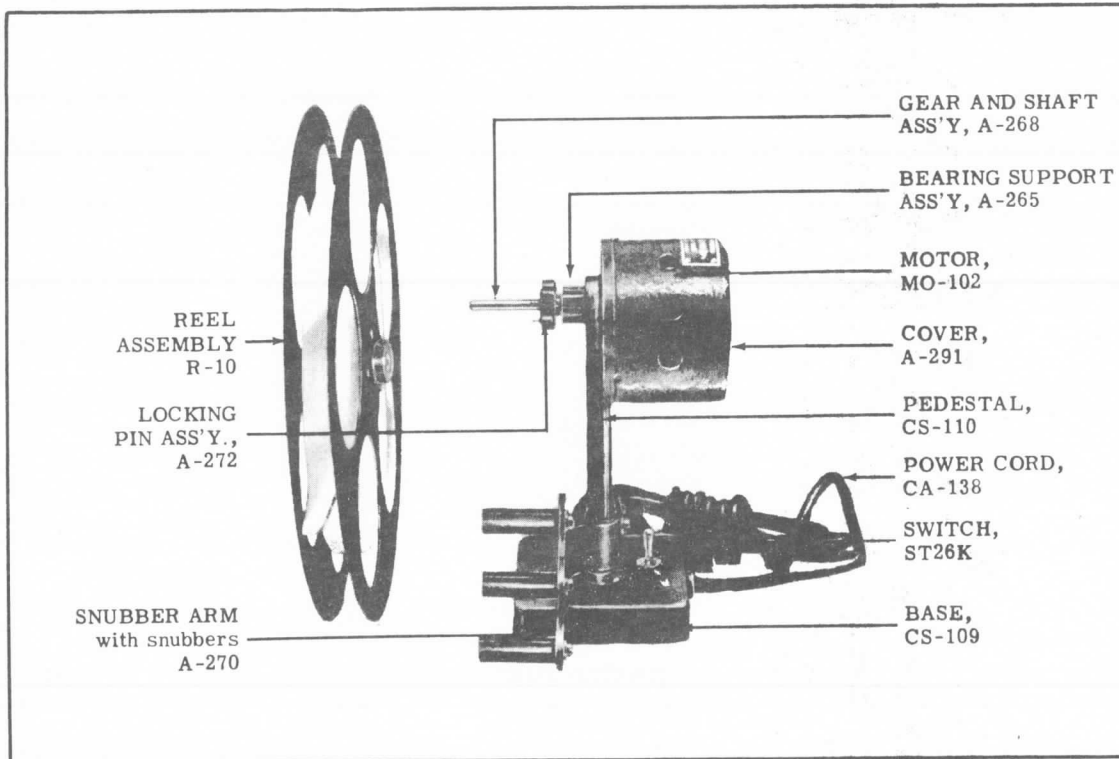
SHIPPING DATA.

WEIGHT
NET GROSS
5-3/4 lbs. 8 lbs.
22 lbs.*
29 lbs.#

DIMENSIONS
Carton-16'' x 13'' x 13''
*Domestic-18'' x 14'' x 13-1/2''
#Export- 21'' x 17'' x 16-1/2''

REPLACEMENT PARTS LIST

ITEM	DESCRIPTION
A-1306	TAKE-UP MOTOR ASSEMBLY, consists of:
	A-268, GEAR ASSEMBLY with reel shaft
	A-272, LOCK PIN ASSEMBLY
	MO-120, MOTOR
	CS-110, PEDESTAL
	ST26K, SWITCH, TOGGLE
	CA-138, CORD, POWER
A-270	SNUBBER ARM, with snubbers.



THE TECHNICAL MATERIEL CORPORATION

CABLE "TEPEI"

TWX 710-566-1100

MAMARONECK, N.Y. 10543

THE WORLD-WIDE SYSTEM OF REMOTE CONTROLLED COMMUNICATIONS

and Subsidiaries ALEXANDRIA, VIRGINIA • TEMPE, ARIZONA • SAN LUIS OBISPO, CALIFORNIA
POMPAÑO BEACH, FLORIDA • OTTAWA, CANADA • LUZERN, SWITZERLAND