

**METER PANEL**

**AX-107**

#### NOTICE

THE CONTENTS AND INFORMATION CONTAINED IN THIS INSTRUCTION MANUAL IS PROPRIETARY TO THE TECHNICAL MATERIEL CORPORATION TO BE USED AS A GUIDE TO THE OPERATION AND MAINTENANCE OF THE EQUIPMENT FOR WHICH THE MANUAL IS ISSUED AND MAY NOT BE DUPLICATED EITHER IN WHOLE OR IN PART BY ANY MEANS WHATSOEVER WITHOUT THE WRITTEN CONSENT OF THE TECHNICAL MATERIEL CORPORATION.





## TABLE OF CONTENTS

<u>Paragraph</u>		<u>Page</u>
1	Description . . . . .	1
2	Unpacking and Installation . . . . .	1
3	Electrical Installation . . . . .	1
4	Maintenance . . . . .	3
5	Parts List . . . . .	3

## LIST OF ILLUSTRATIONS

<u>Figure</u>		<u>Page</u>
1	Meter Panel, AX-107 . . . . .	0
2	Schematic Diagram, AX-107 . . . . .	2

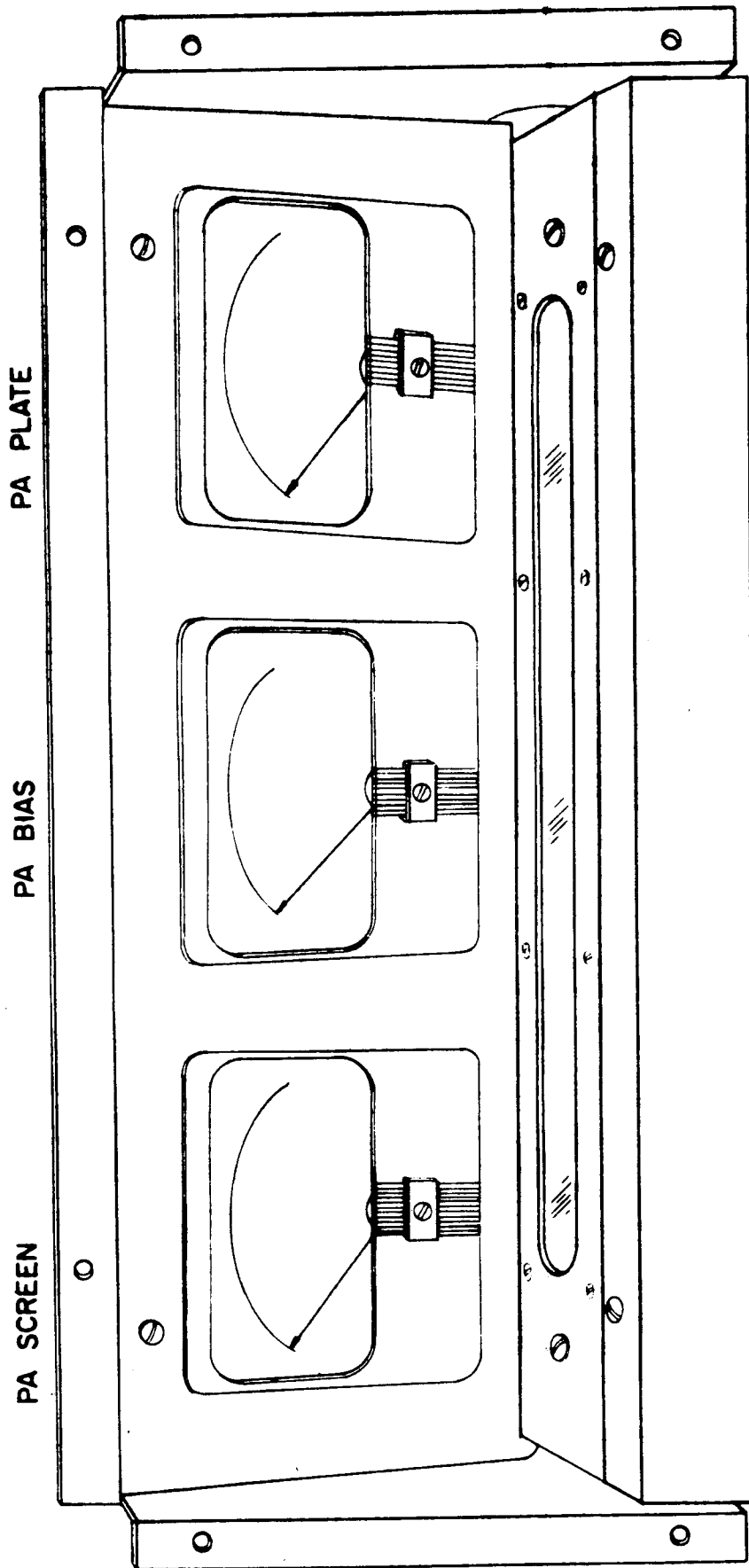


Figure 1. Meter Panel AX-107

## 1. DESCRIPTION

Meter Panel AX-107 (figure 1) contains three meters that can be used to monitor the bias, screen, and plate voltages of a final power amplifier stage. A fluorescent lamp is supplied to illuminate the meter area.

## 2. UNPACKING AND INSTALLATION

When provided as part of a system, the AX-107 is normally installed in a rack at the factory; the rack (with associated equipment) is then shipped to the operating site. Whether received in this form or as an individual unit, uncrate the equipment carefully and inspect for damage that may have occurred in transit. Inspect all packing material for parts that may have been shipped as loose items. With respect to damage to the equipment for which the carrier is liable, The Technical Materiel Corporation will assist in describing methods of repair and the furnishing of replacement parts.

Each AX-107 is tested at the factory before shipment, and is therefore ready for installation and operation. Preliminary adjustments are not necessary. The AX-107 is designed for installation in a 19-inch wide equipment rack. Installation consists of fastening the AX-107 to the rack with screws.

## 3. ELECTRICAL INSTALLATION

Electrical connection at the rear panel is dependent upon the system in which the unit is used: refer to the applicable system cabling diagram and make the necessary connections.

Schematic diagram figure 2 should be used in conjunction

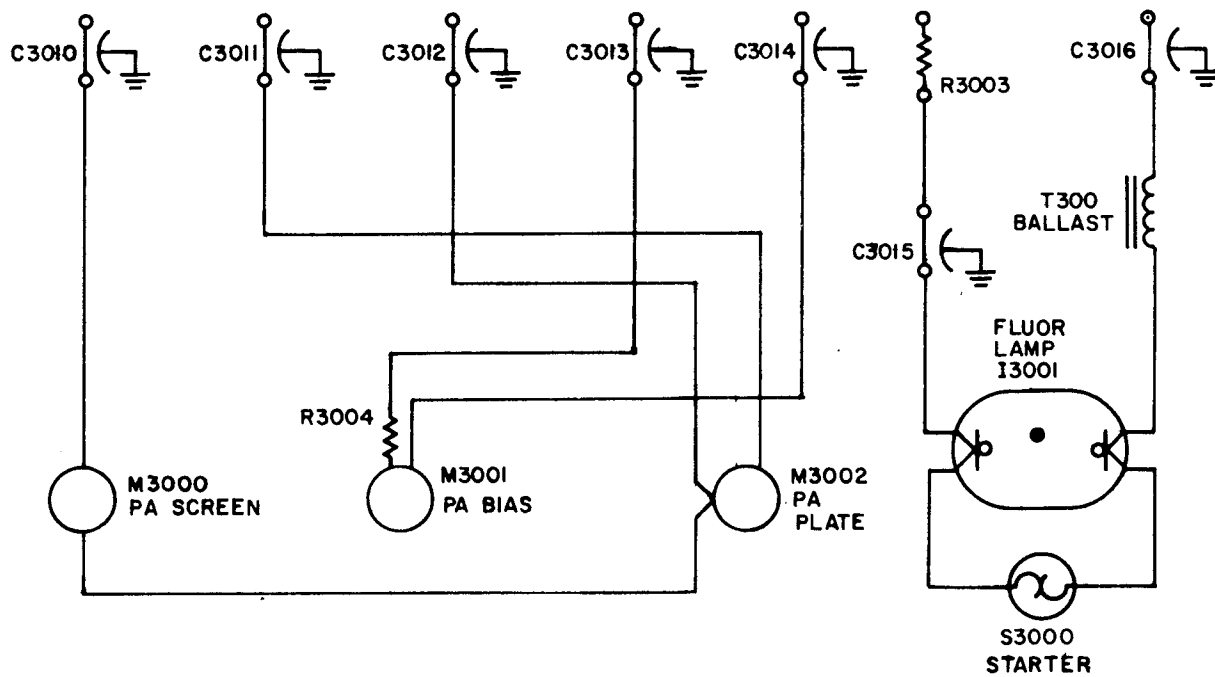


Figure 2. Schematic Diagram, AX-107



with the schematic diagrams in the associated system and modular-unit manuals as an aid for tracing wiring.

#### 4. MAINTENANCE

Check condition of wires, terminals, and meters to ensure that charring or other deterioration has not set in.

#### 5. PARTS LIST

The parts list presented is a cross-reference list of parts identified by a reference designation and TMC part number. In most cases, parts appearing on schematic diagrams are assigned reference designations in accordance with MIL-STD-16. Wherever practicable, the reference designation is marked on the equipment, close to the part it identifies. In most cases, mechanical and electro-mechanical parts have TMC part numbers stamped on them.

To expedite delivery when ordering any part, specify the following:

- a. Generic name.
- b. Reference designation.
- c. TMC part number.
- d. Model and serial numbers of the equipment containing the part being replaced; this can be obtained from the equipment nameplate.

For replacement parts not covered by warranty (refer to warranty sheet in front of manual), address all purchase orders to:

The Technical Materiel Corporation  
Attention: Sales Department  
700 Fenimore Road  
Mamaroneck, New York

PARTS LIST  
for  
METER PANEL ASSEMBLY

REF SYMBOL	DESCRIPTION	TMC PART NUMBER
C3000 thru C3009	NOT USED	
C3010	CAPACITOR, FIXED, CERAMIC DIELECTRIC: feed- thru; 1,000 uuf, <u>+20%</u> ; 500 WVDC.	CK70AW102M
C3011 thru C3016	Same as C3010.	
I3000	NOT USED	
I3001	LAMP, FLUORESCENT: standard cool white; 1/2" dia. x 11-1/4" long.	BI107
M3000	VOLTMETER: PA; screen; 0-1500 volt scale; 1 ma DC movement; 4-1/2" square case.	MR119
M3001	VOLTMETER: PA; bias; 0-400 negative megovolt scale; 1 ma DC movement; 4-1/2" square case.	MR122
M3002	VOLTMETER: PA; plate; 0-10 kilovolt scale; 1 ma DC movement; 4-1/2" square case.	MR121
R3000 thru R3002	NOT USED	
R3003	RESISTOR, FIXED, WIREWOUND: 600 ohms, 25 watts.	RW102
R3004	RESISTOR, FIXED, COMPOSITION: 390,000 ohms, <u>+5%</u> ; 2 watts.	RC42GF394J
S3000	STARTER, FLUORESCENT LAMP: 8 watts; 3/16" dia. x 1-1/2" long o/a.	PO170
T3000	NOT USED	
T3001	BALLAST, FLUORESCENT LAMP: 8 watts, 118 volts, 0.17 amp, 60 cps; 5-1/2" leads; 1-1/8" wide x 7/8" high x 5-15/16" long o/a.	PO169
XI3000	NOT USED	
XI3001A	SOCKET, FLUORESCENT LAMP: 75 watts, 250 volts; 6" leads; 1-1/32" high x 5/8" wide x 5/16" thick o/a.	TS141

## PARTS LIST (CONT)

REF SYMBOL	DESCRIPTION	TMC PART NUMBER
XI3001B  XS3000	Same as XI3001A.  SOCKET, STARTER, FLUORESCENT: 660 watts, 250 volts; 8-1/2" leads; 1-13/16" long x 1-11/16" wide x 7/16" deep o/a.	TS140

