

7324

INSTRUCTION MANUAL

FOR

MONITORING UNIT

A10352

TABLE OF CONTENTS

<u>SECTION</u>	<u>TITLE</u>
I	<u>DESCRIPTION</u> General
II	<u>THEORY OF OPERATION</u> Installation and Operation Operation Check
III	<u>PARTS LIST</u> Electrical Components and Mechanical Parts
IV	<u>ILLUSTRATIONS</u> Schematic Diagram CK10446 Installation Diagram ID10324

SECTION I

GENERAL DESCRIPTION

The TMC Model A10352 is a multiple Loudspeaker Monitoring Unit with squelch indicator light facilities for each channel.

The A10352 was designed primarily for use in conjunction with TMC's Model STR - Strip Receivers and provides loudspeakers for up to 6 receivers with provision for terminating any of the receiver audio output circuits into a load resistor when the OFF position of the speaker switch is selected. An indicator light is also provided for each channel to indicate when the squelch circuit is broken by an incoming signal.

SECTION II

THEORY OF OPERATION

INSTALLATION AND OPERATION

After unpacking and careful inspection for mechanical damage the unit should be mounted in a rack with the receivers to be used in conjunction with it. Cable CA555-4 supplied as a loose item is used for connection to the 115 Volt AC line.

CA10153 is used for interconnection of TMC Model STR receivers to the A10352 Monitoring Unit. This cable should be connected in accordance with Installation Diagram ID10324.

OPERATION CHECK

Switch on AC power to the A10352 loudspeaker monitoring unit and associated receivers. Switch off all speakers except No. 1, and adjust No. 1 receiver squelch control until the receiver background noise is squelched. Indicator light for No. 1 receiver will now be out.

Connect a Signal Generator to the antenna input on No. 1 receiver and adjust to the operating frequency for which the receiver is tuned. Set level to 1 microvolt, squelch indicator light should now come ON and the signal from the generator heard on the receiver speaker.

NOTE: The level at which the squelch light indicates can be adjusted to operate at any desired level (1 microvolt mentioned is typical). The above is followed for each receiver in the system.

BILL OF MATERIAL		MODEL	PROJ. NO.				LIST NO. A10352
PART NO.	QUAN. PER ONE EQUIP.	ISSUE					SHEET 1 OF 1 SHEETS
		DESCRIPTION				REMARKS	
			SECTION III:				
			<u>Electrical Components and Mechanical Parts:</u>				
BI101-44	6		LAMP: Incandescent, Min. Bayonet Base				
CA555-4-F	1		CABLE ASSEMBLY: Power Coiled				
LS106	6		LOUDSPEAKER: 2" PM				
RC32GF3R3J	6		RESISTOR: fixed				
ST12D	6		SWITCH: Toggle, S.P.D.T.				
TF111	1		FILAMENT TRANSFORMER				

TMC (Canada) LIMITED
OTTAWA, ONTARIO

← APPLICABLE SPECIFICATIONS, LAST PAGE →

CHECKED

APPROVED

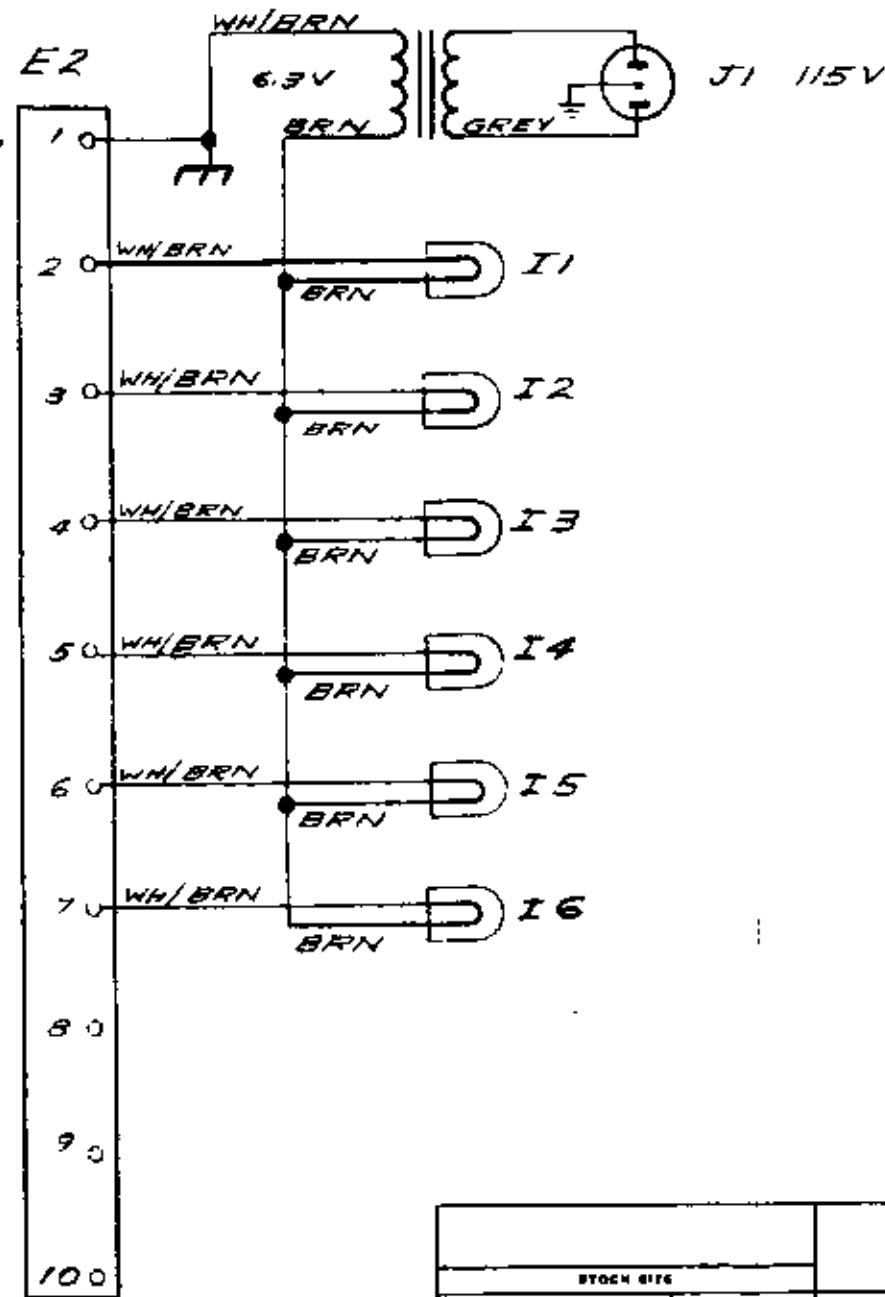
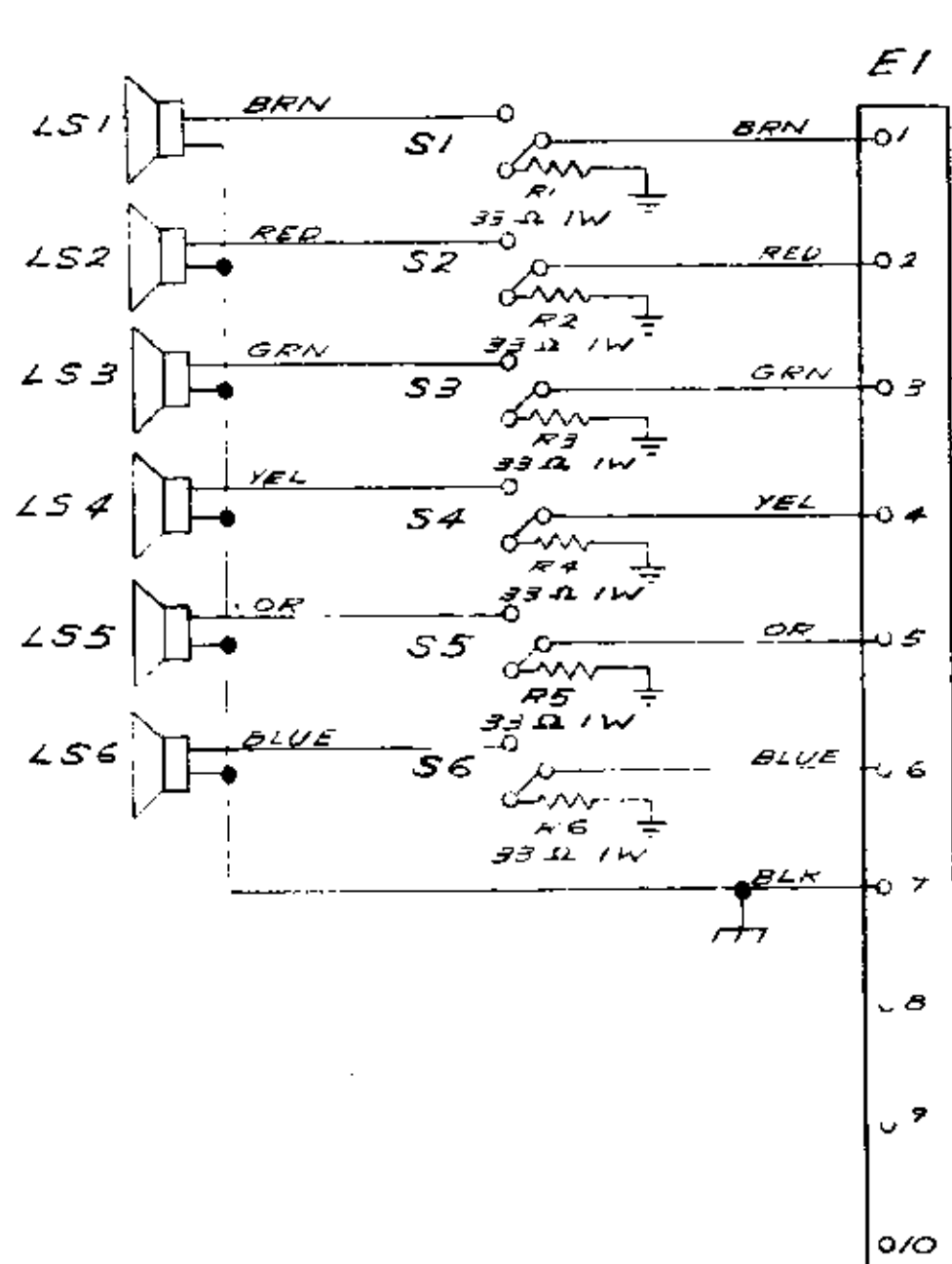
IF IT IS FOUND DESIRABLE TO CHANGE ANY TOLERANCE OR OTHER DETAIL SPECIFIED ON THIS DRAWING NOTIFY THE PURCHASER PROMPTLY

DIMENSIONS IN INCHES UNLESS OTHERWISE SPECIFIED

MAXIMUM ALLOWABLE TOLERANCES HAVE BEEN DETERMINED AND DEVIATIONS WILL BE CAUSE FOR REJECTION. REMOVE ALL BUMPS AND SHARP EDGES

ISSUE	ITEM	CHANGED FROM	DATE	EN NO	DRAFTS	CHECKER	ENG APP.

REQ.	ITEM	PART NO.	DESCRIPTION	SYMBOL



STOCK SIZE		TMC (Canada) LIMITED OTTAWA ONTARIO	
MATERIAL			
WEIGHT PER PC.		MONITORING UNIT	
TYPE & TEMPER.		RD	
HEAT TREAT SPEC.		DRAWN	
FINISH & SPEC. NO.		CHECKED	

TOLERANCES		SCALE
ALL DIMENSIONS	DEC DIM	DRILL, PUNCH, COMMERCIAL STOCK
	FRACTIONAL DIM	SIZES AND MANUFACTURERS
	ANGULAR DIM	TOLERANCES ARE NOT INCLUDED

PROJECT NO.	A 10552
DATE	21-8-64
USED ON	

CH 10-1-154

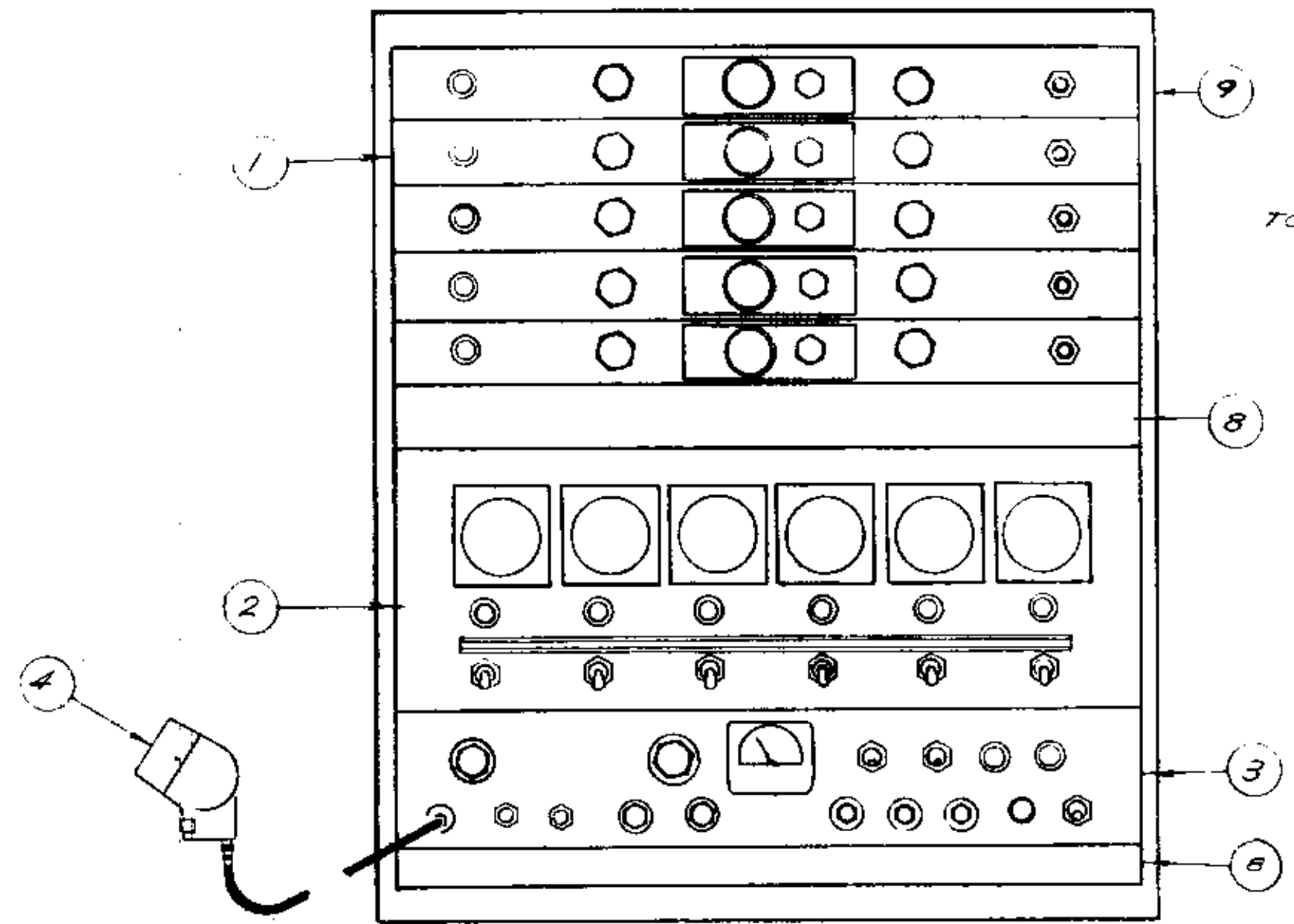
IF IT IS FOUND DESIRABLE TO CHANGE ANY TOLERANCE OR OTHER DETAIL SPECIFIED ON THIS DRAWING NOTIFY THE PURCHASER PROMPTLY

MAXIMUM ALLOWABLE TOLERANCES HAVE BEEN DETERMINED AND DEVIATIONS WILL BE CAUSE FOR REJECTION REMOVE ALL BURRS AND SHARP EDGES

DIMENSIONS IN INCHES UNLESS OTHERWISE SPECIFIED

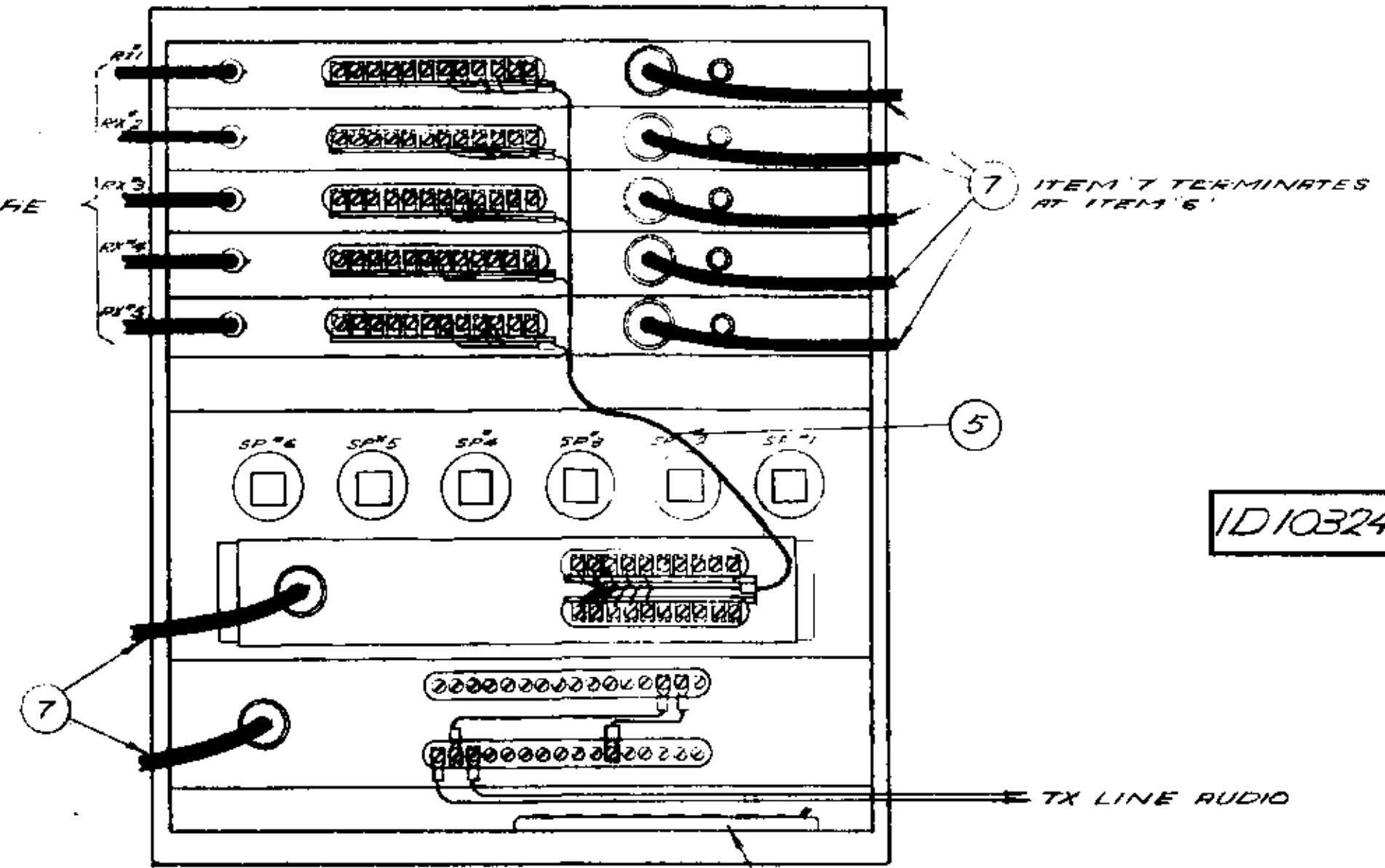
ISSUE	ITEM	CHANGED FROM	DATE	CA. NO.	DRAWN	CHECKED	ENG. APP.

REQ.	ITEM	PART NO.	DESCRIPTION	SYMBOL
5	1	STR-1	STRIP RECEIVER	
1	2	R10352	MONITORING UNIT	
1	3	SPU-2	SPEECH PROCESING UNIT	
1	4	MK-102	MICROPHONE	
1	5	CA-10153	CABLE INTECONNECTING	
1	6	FUL 34 18-6	MASTER POWER CONTROL	
7	7	CA555-4	POWER CABLE	
2	8	MS157-1P	BLANK PANEL 1 3/4 IN	
1	9	HAMMOND 1461 F	CABINET	



FRONT

TO ANTENNAE



BACK DOOR REMOVED

ITEM 7 TERMINATES AT ITEM 6

ID10324

TX LINE AUDIO

NOTE: ITEM '3' FOR NANOSE ONLY

TOLERANCES		SCALE
ALL DIM.	DEC. DIM.	DRILL, PUNCH, COMMERCIAL STOCK SIZES AND MANUFACTURERS TOLERANCES ARE NOT INCLUDED
OTHERS	FRACTIONAL DIM.	
	ANGULAR DIM.	

MODEL	PROJECT NO.	ASSY. NO.	DATE
			11-11-64

TMC (Canada) LIMITED			
OTTAWA		ONTARIO	
RECEIVER RACK			
(BC CIVIL DEFENCE)			
RD			
DRAWN	ELC. ENG. APP.	MECH. ENG. APP.	
HEAT TREAT SPEC.		CHECKED	
		MATERIAL APPROVAL	
FINISH & SPEC. NO.			
ID10324			