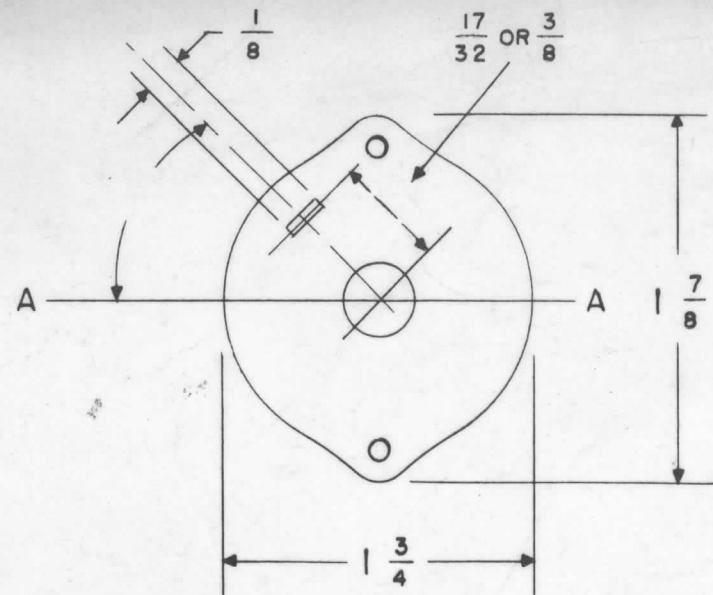
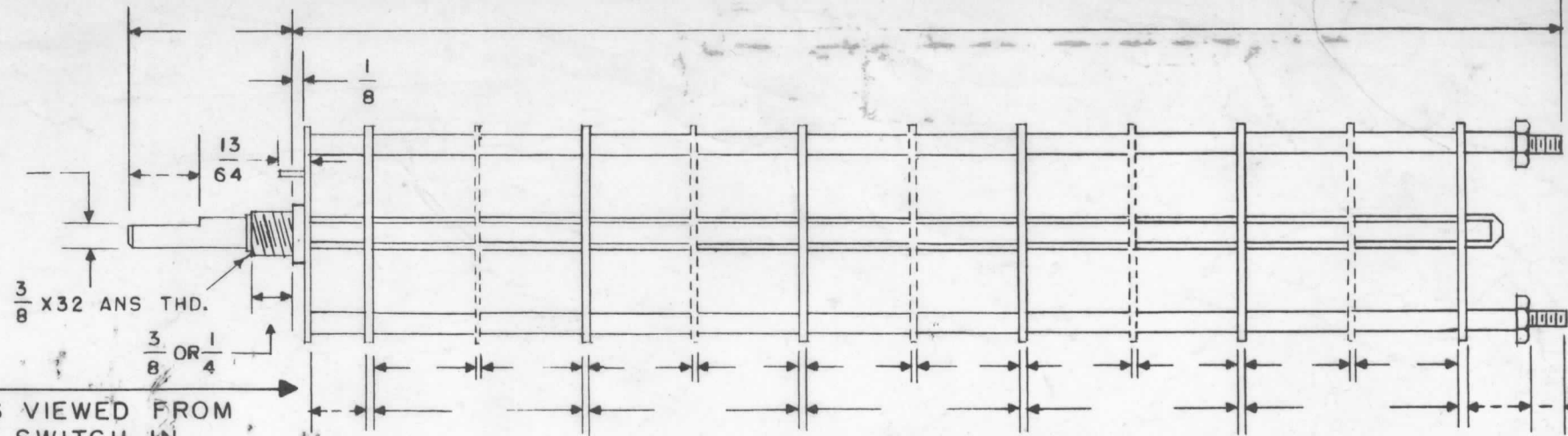


WS-118



FRONT & REAR SECTIONS VIEWED FROM FRONT OR KNOB END OF SWITCH IN EXTREME COUNTER CLOCKWISE POSITION



DRAW IN FLAT ON ABOVE SHAFT IN EXTREME COUNTER CLOCKWISE POSITION AND SHOW ANGLE IN REFERENCE TO LINE A-A

NUMBER OF SECTIONS 1
 NUMBER OF POSITIONS 6
 ANGLE OF THROW _____ (30° OR 60°)

PART NUMBER _____
 STAMP ON FRONT PLATE YES ___ NO ___

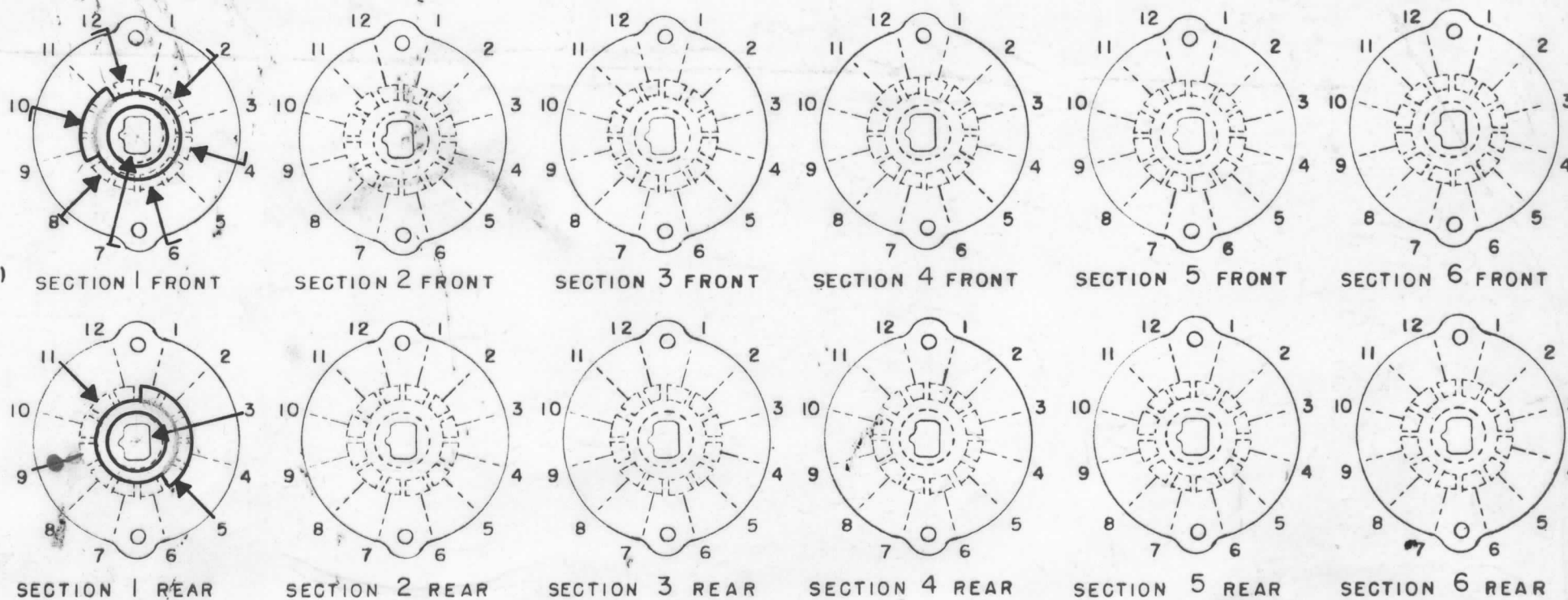
CONTACTS & ROTORS: (IF NOT SPECIFIED, SHORTING TYPE WILL BE SUPPLIED)
 SHORTING ___ NON SHORTING ___

MATERIAL: (IF NOT SPECIFIED, SILVER PLATED BRASS WILL BE SUPPLIED)
 SILVER PLATED BRASS ___ SILVER ALLOY ___

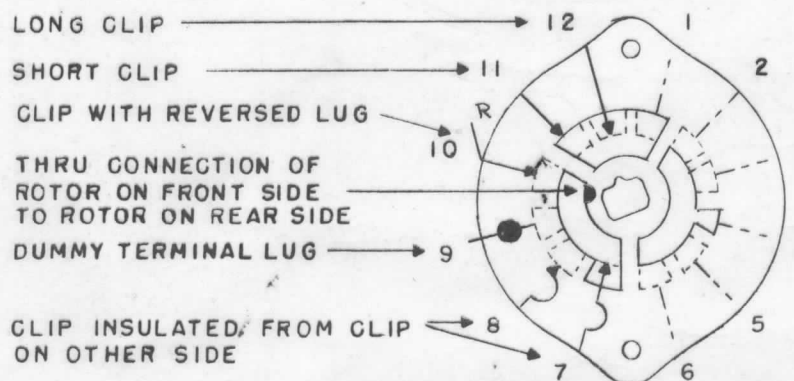
INSULATION: BAKELITE ___ CERAMIC ___
 SPECIFY IMPREGNATION IF REQUIRED _____

FINISH REQUIREMENTS: COMMERCIAL ___ ARMY ___ NAVY ___
 SALT TEST (IF ANY GIVE DETAILS) _____

HARDWARE: SUPPLY
 ___ 3/8 - 32 NUTS ___ ACROS FLATS MAT. ___ PLATING ___
 ___ 3/8 INT TOOTH LOCKWASHERS MAT. ___ PLATING ___



SYMBOLS USED IN MARKING PRINT →



OAK SWITCH
 TYPE - H HC DH DHC QM
 QDH QHC QDHC
 (CIRCLE DESIRED TYPE)

ISSUE	ITEM	CHANGED FROM	DATE	CH. NO.	DRAFTS	CHECKER	ENG. APP.
TOLERANCES			SCALE:				
DEC. DIM. ±	MAXIMUM ALLOWABLE TOLERANCES HAVE BEEN DETERMINED AND ANY DEVIATIONS WILL BE CAUSE FOR REJECTION. REMOVE ALL BURRS AND SHARP EDGES						
±							
±							
±							

OUTLINE ROTOR BLADES AS SHOWN ABOVE WITH SWITCH IN EXTREME COUNTER-CLOCKWISE POSITION

1	GPR-92			10-31-62
1	GPR-90-RXD			4-29-60
REQ. PER UNIT	MODEL	PROJECT NO.	ASS'Y. NO.	DATE
	USED ON			

REQ. ITEM	PART NO.	DESCRIPTION	SYMBOL
		THE TECHNICAL MATERIEL CORP. MAMARONECK, NEW YORK	
STOCK SIZE		WAFER, ROTARY SWITCH	
MATERIAL			
TYPE & TEMPER		HEAT TREAT. SPEC.	
FINISH & SPEC. NO.		ELEC. DES. APP.	MECH. DES. APP.
		WS-118	