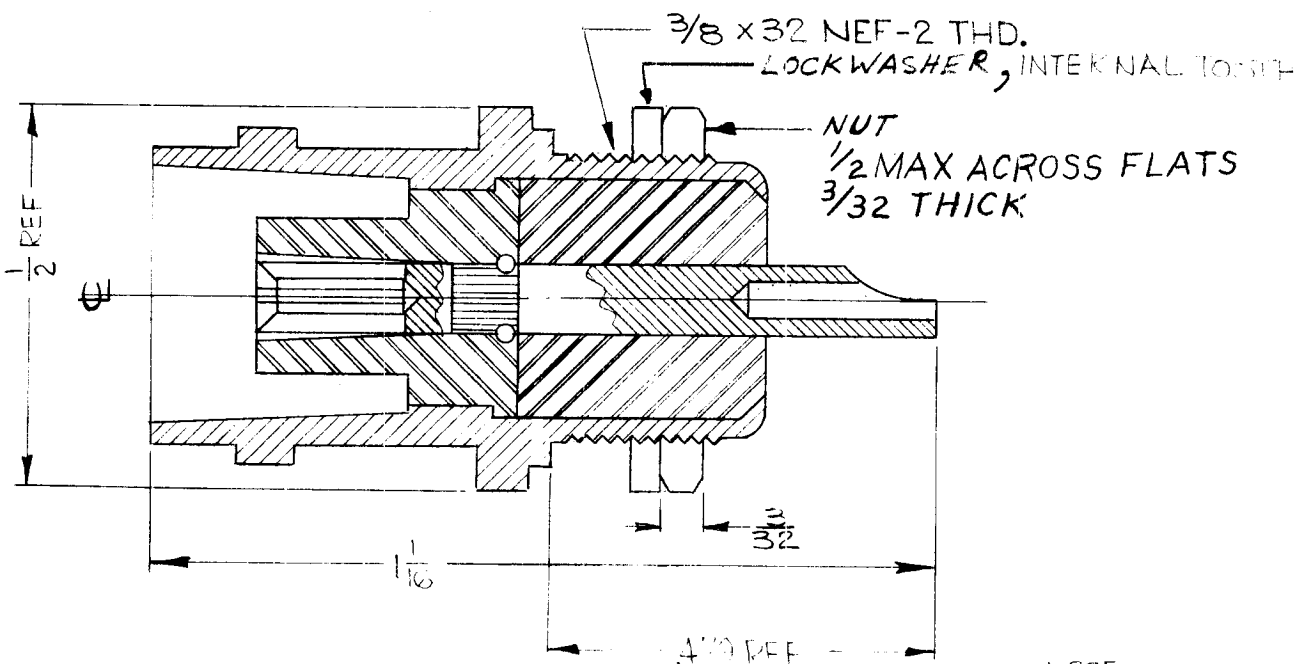


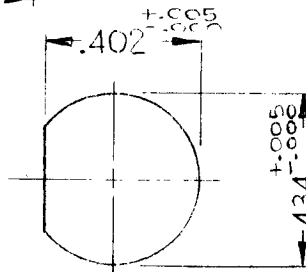
STANDARD DRAWING

THE CONTENTS OF THIS DRAWING ARE THE EXCLUSIVE PROPERTY OF THE TECHNICAL MATERIEL CORP. ITS UNAUTHORIZED USE FOR REPRODUCTION IN WHOLE OR IN PART IS STRICTLY FORBIDDEN.

REQ. PER UNIT	USED ON			UGG25*/U	B
	MODEL	ASS'Y. NO.	DATE		



**ENLARGED CROSS SECTION
(NOT TO SCALE)**



Applicable Specifications:
 Military Standard Drawing MS27035
 Military Specification MIL-C-3608

*** Note:** Latest Military Revision Type, DRILLING PLAN MODIFIED (HARDWARE)

SPECIFICATIONS:

Series - BNC, Bayonet
 No. of Contacts - 1
 Type of Contact - Female
 Dielectric - Polytetrafluoroethylene
 Maximum Oper. Temp. - 125°C.

ELECTRICAL DATA:

Max. Peak Oper. Volt - 500 Volts
 Freq. Limit - 10,000 MCS
 Nominal Impedance - 50 Ohms

CABLE ACCOMMODATIONS:

Type - Solder Cup.

MATING ACCOMMODATIONS:

Type - BNC

MATERIAL:

External Parts - Brass
 Contact - Beryllium Copper
 Gasket - None

FINISH:

External Parts - Silver Plated
 Contact - Silver Plated (Optional Gold Flash on Silver Plate)

PANEL:

Max. Thickness - 3/16
 Recommended Thickness - .045 to .125

REQ.	ITEM	PART NO.	DESCRIPTION	SYMBOL
			THE TECHNICAL MATERIEL CORP. MAMARONECK, NEW YORK	
B	SEE EMN#10695	2/26/64 10695 A.M.	STOCK SIZE	
A	UPDATED DWG	11/22/63 10488	RECEPTACLE, BNC	
SYM	DESCRIPTION	DATE CH. NO. DRAFTS CHECKER ENG. APP.	MATERIAL	
UNLESS OTHERWISE SPECIFIED DIMENSIONS ARE IN INCHES AND INCLUDE CHEMICALLY APPLIED OR PLATED FINISHES		SCALE	DRAWN	
DECIMALS .X ± .05 .XX ± .01 .XXX ± .005		FRACTIONS ± 1/64 ANGLES ± 0° 30'	CHECKED	
TOLERANCES		CODE	FINAL APPROVAL	
			ELEC. DES. APP. MECH. DES. APP.	
			FINISH & SPEC. NO.	
			7-10-63 7/12/63	
			7/17/63	
			7.18.63	
			UGG25*/U	B