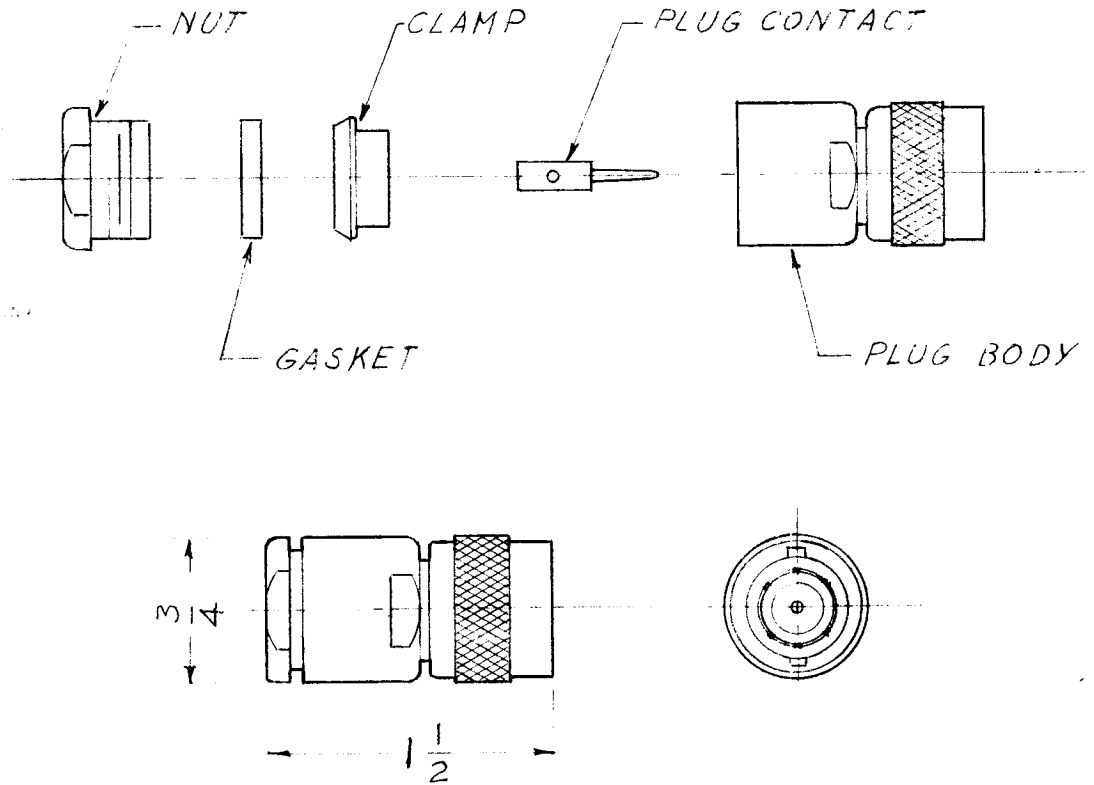


REQ. PER. UNIT	USED ON			UG-573*/U	A
	MODEL	ASS'Y. NO.	DATE		
			6-15-61		

BODY MATERIAL : BRASS, SILVER PLATED  
 CONTACT MATERIAL : BERYLLIUM COPPER,  
 SILVER PLATED  
 (GOLD FLASH ON SILVER PLATE  
 OPTIONAL)  
 CASKET : SILICONE  
 DIELECTRIC : TEFLON  
 CABLES : RG 8/U, RG-9/U  
 NOMINAL IMPEDANCE : CONSTANT FOR 300 OHM  
 VOLTAGE : 1500V @ 10,000 MCS  
 9000V @ 3,000 MCS  
 SERIES : C



REF: USE C-365/C FOR CABLE ASSY

ISSUE	ITEM	CHANGED FROM	DATE	CH. NO.	DRAFTS	CHECKER	ENG. APP.	REQ.	ITEM	PART NO.	DESCRIPTION	SYMBOL	
											THE TECHNICAL MATERIEL CORP. MAMARONECK, NEW YORK		
											PLUG, CONNECTOR SERIES "C"		
A	1	UPDATED WITH CHANGES	1/2/64	10652									
TOLERANCES			SCALE:										
DEC. DIM. ± FRAC. DIM. ± ANGULAR DIM. ±			MAXIMUM ALLOWABLE TOLERANCES HAVE BEEN DETERMINED AND ANY DEVIATIONS WILL BE CAUSE FOR REJECTION. REMOVE ALL BURRS AND SHARP EDGES					TYPE & TEMPER	HEAT TREAT. SPEC.	DRAWN	CHECKED	FINAL APPROVAL	
												UG-573*/U	A
								FINISH & SPEC. NO.	ELEC. DES. APP		MECH. DES. APP		