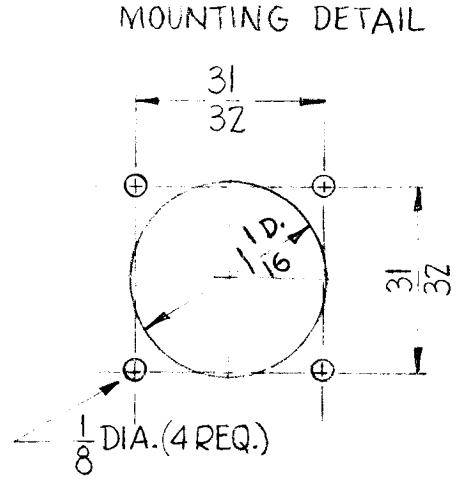
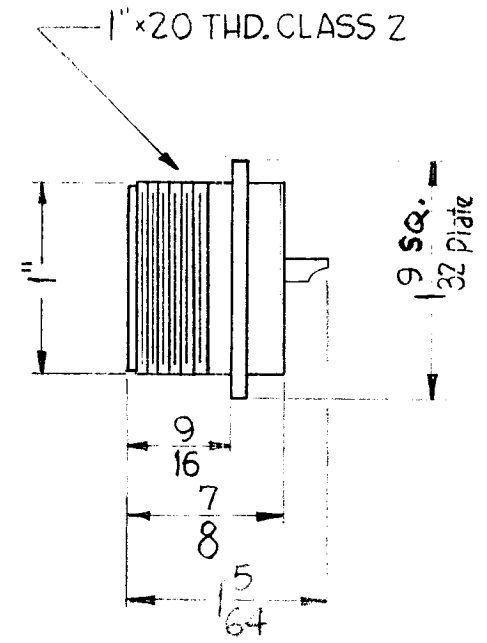
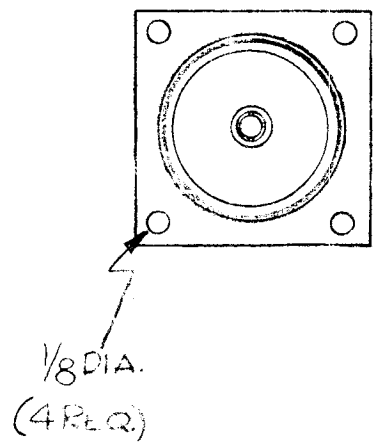


REQ. PER. UNIT	USED ON			UG-357/U
	MODEL	ASS'Y. NO.	DATE	
			3-15-61	



NOTES~
 Female Type
 Mica Filled
 Finish - Silver
 Mating Part UG-358/u

							REQ.	ITEM	PART NO.	DESCRIPTION	SYMBOL			
										THE TECHNICAL MATERIEL CORP.				
										MAMARONECK, NEW YORK				
										RECEPTACLE; CONNECTOR				
										UHF LARGE				
ISSUE	ITEM	CHANGED FROM	DATE	CH. NO.	DRAFTS	CHECKER	ENG. APP.							
TOLERANCES			SCALE: S-401-71 (83-21R)											
DEC. DIM. ±			MAXIMUM ALLOWABLE TOLERANCES HAVE BEEN DETERMINED AND ANY DEVIATIONS WILL BE CAUSE FOR REJECTION. REMOVE ALL BURRS AND SHARP EDGES											
FRAC. DIM. ±														
ANGULAR DIM. ±														
							TYPE & TEMPER	HEATTREAT. SPEC.		DRAWN	CHECKED	FINAL APPROVAL		
							FINISH & SPEC. NO.			ELEC. DES. APP	MECH. DES. APP	UG-357/U		