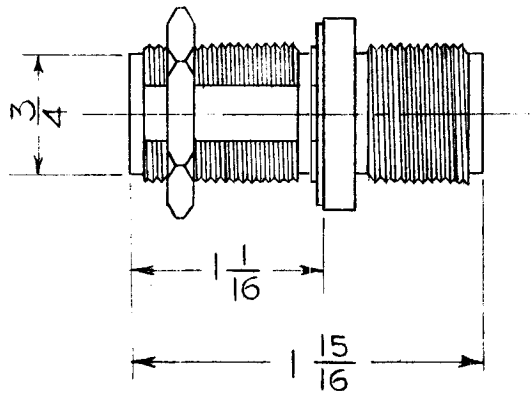


REQ. PER UNIT	USED ON			UG-1019/U
	MODEL	ASS'Y. NO.	DATE	
1	GPT-10K		11-29-60	



NOTE -

INSULATION TEFLON
PRESSURIZED
BOTH ENDS-HN FEMALE

MATING PLUGS-UG-59B/U, UG-495/U

REQ.	ITEM	PART NO.	DESCRIPTION		SYMBOL										
			THE TECHNICAL MATERIEL CORP. MAMARONECK, NEW YORK												
			ADAPTER, CONNECTOR, HN TO HN												
ISSUE	ITEM	CHANGED FROM	DATE	CH. NO.	DRAFTS	CHECKER	ENG. APP.								
TOLERANCES			SCALE:			TYPE & TEMPER		HEATTREAT. SPEC.		DRAWN		CHECKED		FINAL APPROVAL	
DEC. DIM. ± FRAC. DIM. ± ANGULAR DIM. ±			MAXIMUM ALLOWABLE TOLERANCES HAVE BEEN DETERMINED AND ANY DEVIATIONS WILL BE CAUSE FOR REJECTION. REMOVE ALL BURRS AND SHARP EDGES											UG-1019/U	
						FINISH & SPEC. NO.		ELEC. DES. APP		MECH. DES. APP					