

IF IT IS FOUND DESIRABLE TO CHANGE ANY TOLERANCE OR OTHER DETAIL SPECIFIED ON THIS DRAWING NOTIFY THE PURCHASER PROMPTLY.

STANDARD DRAWING

UG-274/U

MAXIMUM ALLOWABLE TOLERANCES HAVE BEEN DETERMINED AND DEVIATIONS WILL BE CAUSE FOR REJECTION. REMOVE ALL BURRS AND SHARP EDGES

REQ
PER
UNIT

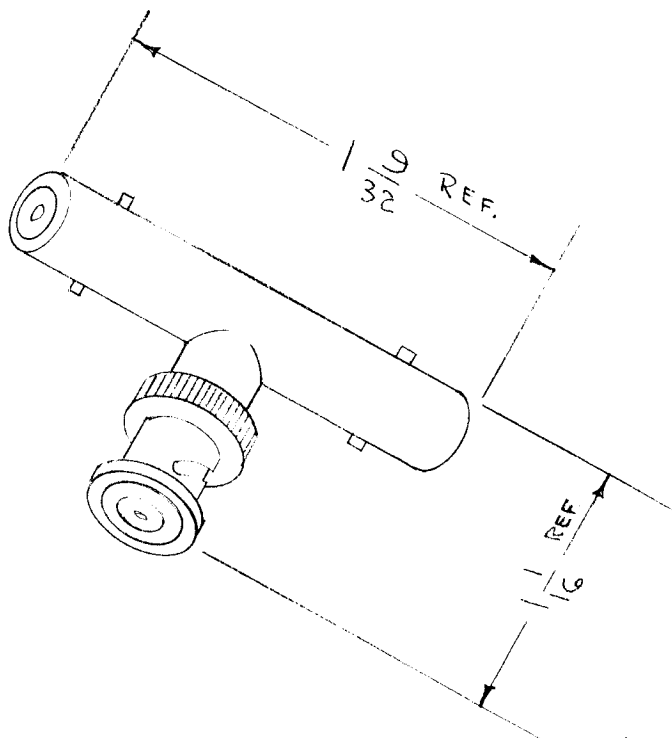
USED ON

MODEL

PROJECT NO.

ASS'Y. NO.

DATE



52 OHMS IMPEDANCE

REF. INDUSTRIAL PRODUCTS CO. NO. A200

REQ.	ITEM	PART NO.	DESCRIPTION	SYMBOL
			THE TECHNICAL MATERIEL CORP. MAMARONECK. NEW YORK	
		STOCK SIZE	CONNECTOR ADAPTER	
		MATERIAL WEIGHT PER PC.	"TEE" TYPE	
		TYPE & TEMPER	C.D.D. 3-2-54	<i>WDC</i>
			DRAWN	ELEC. DES. APP. MECH. DES. APP.
			<i>f. A. de</i>	<i>WDC</i>
		HEAT TREAT. SPEC.	CHECKED	FINAL APPROVAL
		FINISH & SPEC. NO.		UG-274/U

ISSUE	ITEM	CHANGED FROM	DATE	CN. NO.	DRAFTS	CHECKER	ENG. APP.
TOLERANCES			SCALE				
ALL OTHERS	DEC. DIM. \pm FRAC. DIM. \pm ANGULAR DIM. \pm	DRILL, PUNCH, COMMERCIAL STOCK SIZES AND MANUFACTURERS TOLERANCES ARE NOT INCLUDED.					