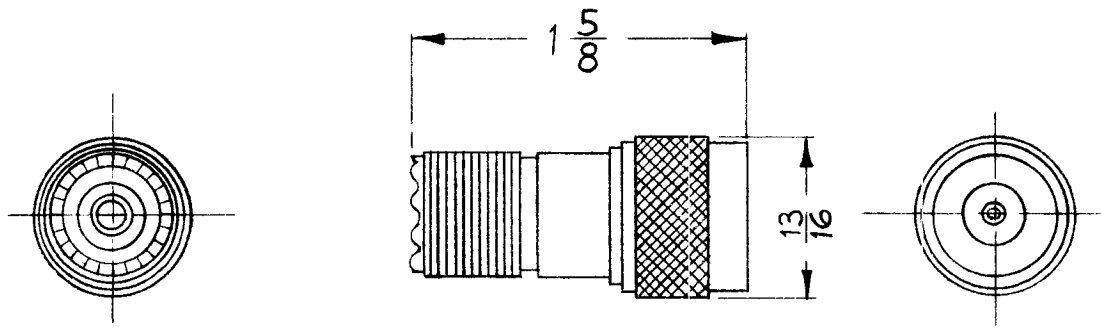


REQ. PER UNIT	USED ON		
	MODEL	ASSY. NO.	DATE
			1-30-61
UG-146/U			

DIELECTRIC : REXOLITE
 GASKET : SILICONE
 MATERIAL : BRASS
 FINISH : SILVER PLATE



ISSUE	ITEM	CHANGED FROM	DATE	CH. NO.	DRAFTS	CHECKER	ENG. APP.	REQ.	ITEM	PART NO.	DESCRIPTION	SYMBOL		
											THE TECHNICAL MATERIEL CORP. MAMARONECK, NEW YORK CONNECTOR STRAIGHT ADAPTER N MALE TO UHF FEMALE			
TOLERANCES								MATERIAL						
DEC. DIM. ± FRAC. DIM. ± 1/64 ANGULAR DIM. ±								TYPE & TEMPER HEAT TREAT. SPEC.				DRAWN <i>M. J. F.</i>	CHECKED <i>[Signature]</i>	FINAL APPROVAL <i>[Signature]</i>
SCALE: MAXIMUM ALLOWABLE TOLERANCES HAVE BEEN DETERMINED AND ANY DEVIATIONS WILL BE CAUSE FOR REJECTION. REMOVE ALL BURRS AND SHARP EDGES								FINISH & SPEC. NO.			ELEC. DES. APP	MECH. DES. APP	UG-146/U	