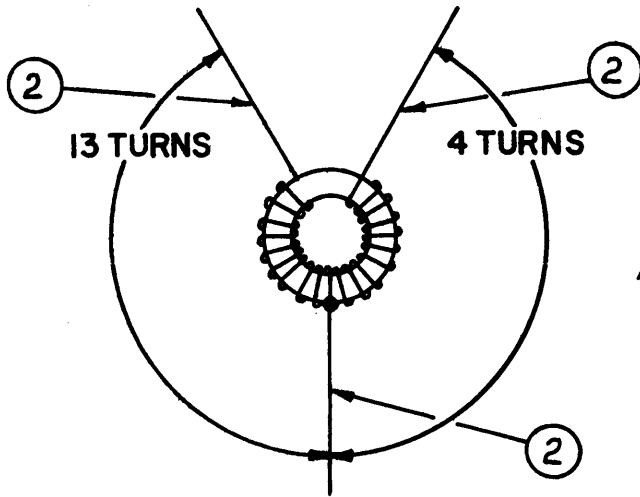


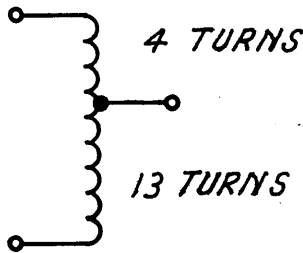
APPLICATION			REVISIONS							
QTY	MODEL USED ON	ASS'Y NO.	LTR	DESCRIPTION	DATE	E.M.N.NO	DRAFT	CHKD	APPD	
1	MMX-1		X	EXPERIMENTAL RELEASE	3-16-67			L.A.K. HD	FA	
			Ø	ORIGINAL RELEASE	8/8/69			W		



SPECIFICATIONS:
ALL TURNS TO BE CLOSE WOUND.

NOTE: ALL LEADS TO BE 3/8 LONG,
STRIPPED & TINNED 1/4.

SINCE THIS IS A BROADBAND LOW Q
DEVICE, INDUCTANCE & Q ARE
NOT SPECIFIED.



REQ'D	ITEM	PART NUMBER	DESCRIPTION	SYM.
X	3	GL130	Q-DOPE	
X	2	W1102-9	WIRE, ELEC, MAG	
1	1	CI127-8	CORE FERRAMIC	

UNLESS OTHERWISE SPECIFIED
DIMENSIONS ARE IN INCHES
AND INCLUDE CHEMICALLY APPLIED
OR PLATED FINISHES

MECH. DES.		DATE
ELECT. DES.		DATE
CHECKED		DATE
DRAWN L. KOLIBABEK		DATE

LIST OF MATERIAL

THE TECHNICAL MATERIEL CORP.
MAMARONECK, NEW YORK

TRANSFORMER, RF

MATERIAL

FINISH

S401-451

NOTICE TO PERSONS RECEIVING THIS DRAWING
THE TECHNICAL MATERIEL CORPORATION claims proprietary right in the material disclosed hereon. This drawing is issued in confidence for engineering information only and may not be reproduced or used to manufacture anything shown hereon without permission from THE TECHNICAL MATERIEL CORPORATION to the user. This drawing is loaned for mutual assistance and is subject to recall at any time.

SIZE A	CODE IDENT. NO. 82679	DWG NO. TZ217	ISSUE Ø
SCALE		SHEET	OF