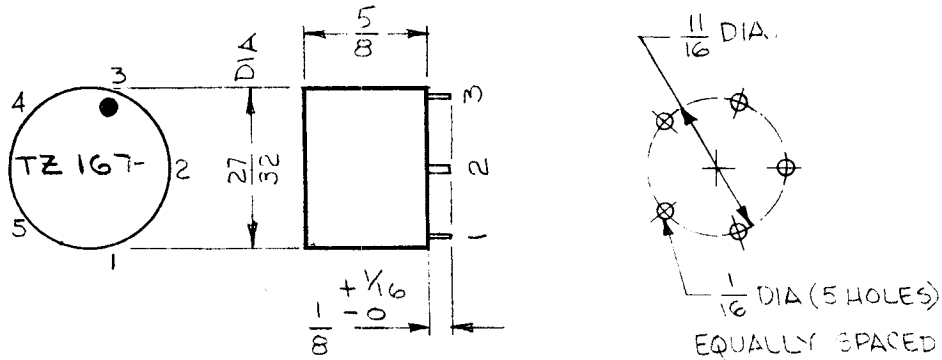


SYMBOL	FUNCTION	OPER. FREQ.	USED ON	REQ.	REQ. PER UNIT	USED ON			TZ 167	0
						MODEL	ASS'Y. NO.	DATE		
T643	9 MC TANK.	9 MC	LFS-1	5		SEE CHART		10-7-63		
T649	10 MC TANK.	10 MC	LFS-1	5						



MOUNTING  
DETAIL

WINDING DATA:

WINDING NO. 1 (PRIMARY)

NOM. IND. - 4.4 uh

NO. OF TURNS - 24

NO. OF TAPS - 1

NO. OF TURNS TAPPED - DUE TO BIFILAR WINDING

WINDING NO. 2 (SECONDARY)

NOM. IND. - .7 uh

NO. OF TURNS - 6

COIL FORM DATA:

MATERIAL - POWDERED IRON

CASE DATA:

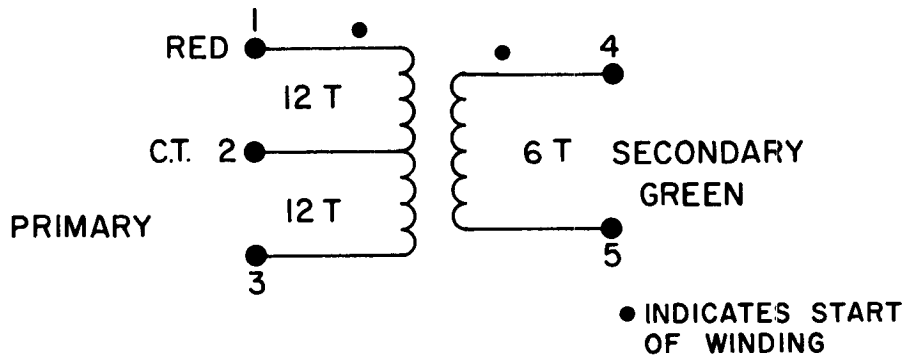
MATERIAL - POTTED

COLOR - RED

TERMINAL DATA:

QUANTITY - 5

TYPE - STAKED LUGS



— SCHEMATIC DIAGRAM —

REQ. ITEM	PART NO.	GELLMAN	DESCRIPTION	SYMBOL
			THE TECHNICAL MATERIEL CORP. MAMARONECK. NEW YORK	
	SEE SPECS.		TRANSFORMER, R.F. FIXED	
RELEASE	7-27-64	#	G.D.L.	
DATE	CH. NO.	DRAFTS	CHECKER	ENG. APP.
SCALE	NONE			
CODE	A 2A 3450			
TYPE & TEMPER	HEAT TREAT. SPEC.	DRAWN	CHECKED	FINAL APPROVAL
FINISH & SPEC. NO.	ELEC. DES. APP.	MECH. DES. APP.	TZ 167 0	