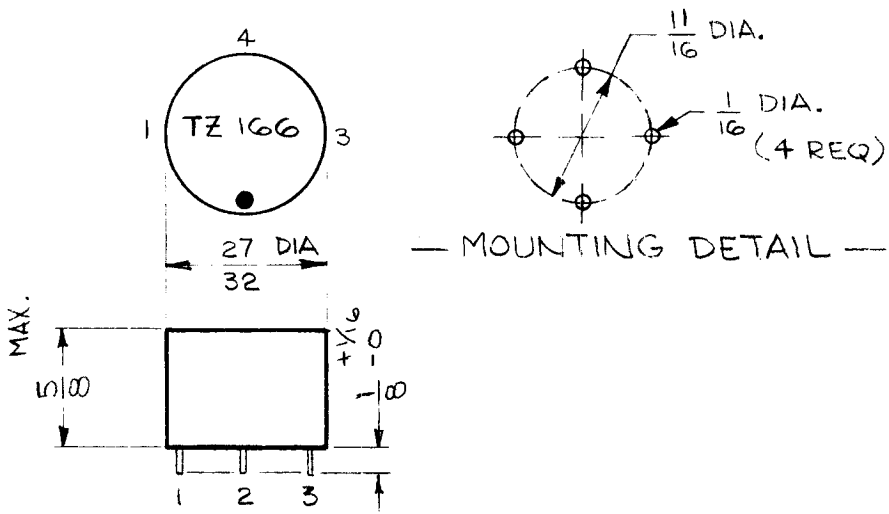


SYMBOL	FUNCTION	OPER. FREQ	USED ON	REQ'D.	REQ. PER UNIT	USED ON			TZ 166	0
						MODEL	ASSY. NO.	DATE		
T645	9MC TANK	9 MC	LFS-1	5	#	SEE CHART	A-	9-23-63		



- TRANSFORMER, R.F. FIXED -

WINDING DATA:
 WINDING #1 (PRIMARY)
 NOM. IND - 2.8 μ h
 NO. OF TURNS - 19
 WINDING #2 (SECONDARY)
 NOM. IND. - .7 μ h
 NO. OF TURNS - 6

COIL FORM DATA:
 MATERIAL - POWERED IRON

CASE DATA:
 MATERIAL - POTTED
 COLOR - ORANGE

TERMINAL DATA:
 QUANTITY - 4
 TYPE - STAKED LUGS.



— SCHEMATIC DIAGRAM —

								REQ. ITEM	PART NO.	M. GELLMAN	DESCRIPTION	SYMBOL	
								#			THE TECHNICAL MATERIEL CORP. MAMARONECK. NEW YORK		
								SEE SPECS			TRANSFORMER, R.F. FIXED		
0	ORIGINAL RELEASE	7-27-64	-	G.D.L.									
SYM	DESCRIPTION	DATE	CH. NO.	DRAFTS	CHECKER	ENG. APP.	MATERIAL						
	UNLESS OTHERWISE SPECIFIED DIMENSIONS ARE IN INCHES AND INCLUDE CHEMICALLY APPLIED OR PLATED FINISHES	SCALE	DO NOT SCALE					#	#	<i>G. Jensen</i>	@	<i>RJC</i>	
	DECIMALS .X ± .05 .XX ± .01 .XXX ± .005	FRACTIONS ± 1/64 ANGLES ± 0° 30'	CODE	2A 3449				#		<i>[Signature]</i>	<i>[Signature]</i>	TZ 166	0
	TOLERANCES						FINISH & SPEC. NO.	ELEC. DES. APP.	MECH. DES. APP.				