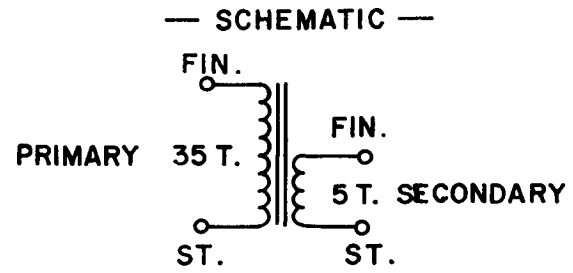
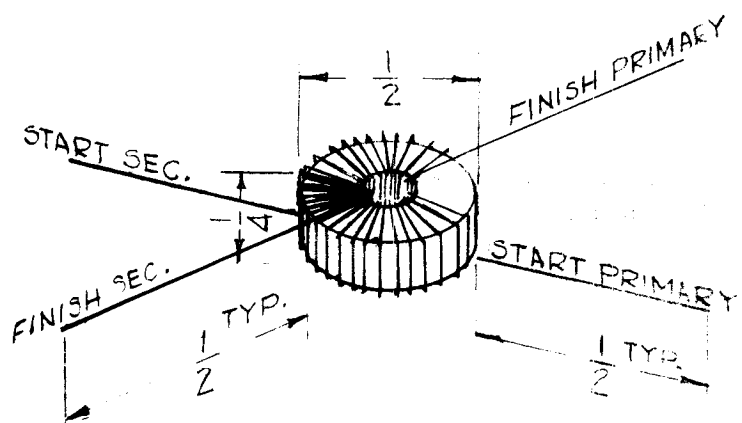


SYMBOL	FUNCTION	OPER. FREQ.	USED ON	QUAN.
T1704	IF OUTPUT	1.75 M.C.	TTR-10 AX-418	1

REQ. PER UNIT	USED ON		
	MODEL	ASS'Y. NO.	DATE
1	TTR-10	A-3222	7-29-63

TZ-125



WINDING DATA

WINDING NO. 1
 NOMINAL INDUCTANCE = 5.0uh ± .250 uh
 NO. OF TURNS = 35
 NO. OF TAPS = NONE

WINDING NO. 2
 NOMINAL INDUCTANCE: NOT RATED
 NO. OF TURNS: 5
 NO. OF TAPS: NONE

COIL FORM DATA
 MATERIAL: POWDERED IRON

TERMINALS
 QUAN. = 4
 TYPE = WIRE LEAD (1/2 LG.)

ELECTRICAL SPECIFICATIONS

INDUCTANCE (PRI) L = 5.0 UHY ± .200 UHY

MIN. Q = 215 AT 7.9 MC

D. C. RESISTANCE = NOT RATED

CURRENT RATING = NOT RATED

REQ.	ITEM	PART NO.	R. KOHN	DESCRIPTION	E 3037-93	SYMBOL
				THE TECHNICAL MATERIEL CORP. MAMARONECK. NEW YORK		
				TRANSFORMER, INTERMEDIATE FREQ., FIXED		
SYM	DESCRIPTION	DATE	CH. NO.	DRAFTS	CHECKER	ENG. APP.
UNLESS OTHERWISE SPECIFIED DIMENSIONS ARE IN INCHES AND INCLUDE CHEMICALLY APPLIED OR PLATED FINISHES		SCALE	DO NOT SCALE			
DECIMALS .X ± .05 .XX ± .01 .XXX ± .005	TOLERANCES	FRACTIONS ± 1/64 ANGLES ± 0° 30'	CODE A	1A-3214		
					G.D.L.	9/12/63
					DRAWN	CHECKED
					R Kohn	—
					ELEC. DES. APP. MECH. DES. APP.	
					TZ-125	