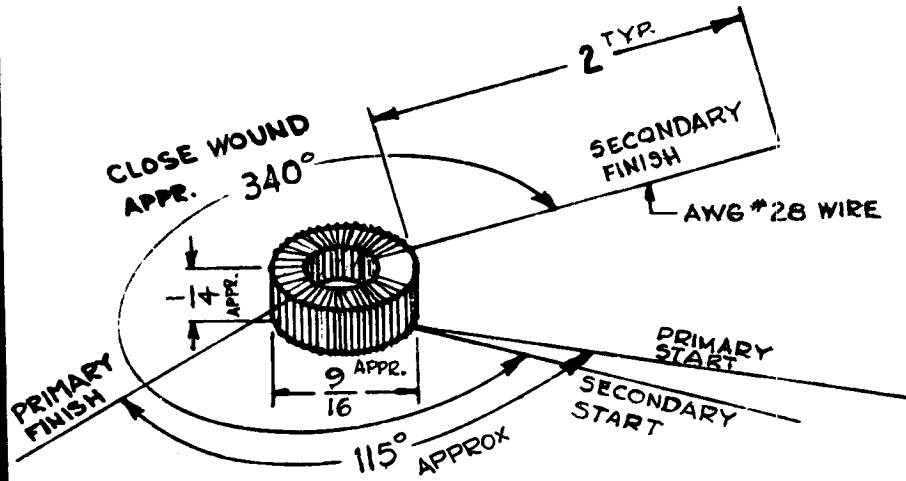


THE CONTENTS OF THIS DRAWING ARE THE EXCLUSIVE PROPERTY OF THE TECHNICAL MATERIEL CORP. ITS UNAUTHORIZED USE OR REPRODUCTION IN WHOLE OR IN PART IS STRICTLY FORBIDDEN.

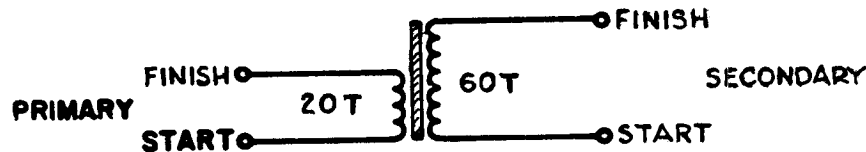
REQ. PER UNIT  
1

USED ON		
MODEL	ASBY. NO.	DATE
HFR-1/T	A-2525	8-31-62

TZ-109



SCHEMATIC DIAGRAM



ELECTRICAL SPECIFICATIONS

SECONDARY -  $L = 14 \mu h \pm 0.25 \mu h$   
 $Q = 160$  AT 2.5 MC.  
 $C$  DISTRIB. = 2.2  $\mu m f$  (FOR REF. ONLY)

PRIMARY -  $L = 2.95 \mu h$  (FOR REF. ONLY)  
 $C$  DISTRIB. = 8.5  $\mu m f$ . (FOR REF. ONLY)

MODEL	REQ.	FUNCTION	FREQ.(MC.)	SYMBOL
HFR-1/T	1	BAND*2	3-4 MC	T1003

REQ.	ITEM	PART NO.	DESCRIPTION	SYMBOL							
			THE TECHNICAL MATERIEL CORP. MAMARONECK. NEW YORK								
			STOCK SIZE								
			TRANSFORMER, ANTENNA								
			BAND 2, FREQ. 3-4 MC								
SYM	DESCRIPTION	DATE	CH. NO.	DRAFTS	CHECKER	ENG. APP.					
UNLESS OTHERWISE SPECIFIED: DIMENSIONS ARE IN INCHES TOLERANCES ON FRAC. $\pm 1/64$ DEC. $\pm .005$ ANGLES $\pm 1/2^\circ$		SCALE: 1A-2525		MAXIMUM ALLOWABLE TOLERANCES HAVE BEEN DETERMINED AND ANY DEVIATIONS WILL BE CAUSE FOR REJECTION. REMOVE ALL BURRS AND SHARP EDGES							
							TYPE & TEMPER	HEATTREAT.SPEC.	DRAWN	CHECKED	FINAL APPROVAL
									J. ANGER		TZ-109
							FINISH & SPEC. NO.		ELEC. DES. APP.	MECH. DES. APP.	