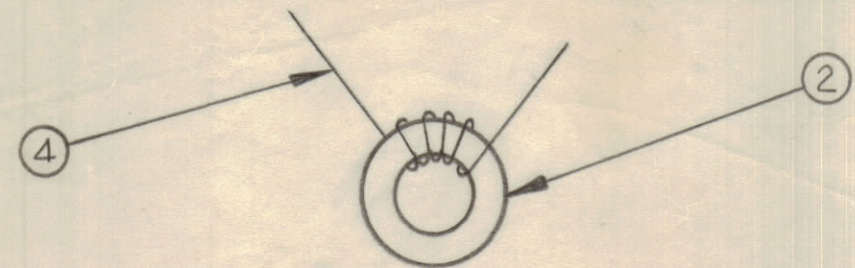
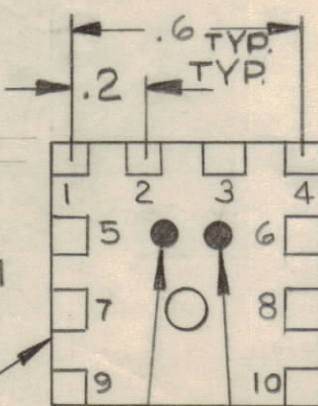


IF IT IS FOUND DESIRABLE TO CHANGE ANY TOLERANCE OR OTHER DETAIL SPECIFIED ON THIS DRAWING NOTIFY THE PURCHASER PROMPTLY.						DIMENSIONS IN INCHES UNLESS OTHERWISE SPECIFIED	
MAXIMUM ALLOWABLE TOLERANCES HAVE BEEN DETERMINED AND DEVIATIONS WILL BE CAUSE FOR REJECTION. REMOVE ALL BURRS AND SHARP EDGES.							
ISSUE	ITEM	CHANGED FROM	DATE	CN. NO.	DRAFTS	CHECKER	ENG. APP.
A		REDRAWN	NOV 3/67		AP		
B		REV AS PER CEMN	SEPT 20/68	394	AP		
C		REV AS PER CEMN	10 AUG 72	1191	CC		
D		REV AS PER CEMN	SEPT 11/71	1254	HCS		



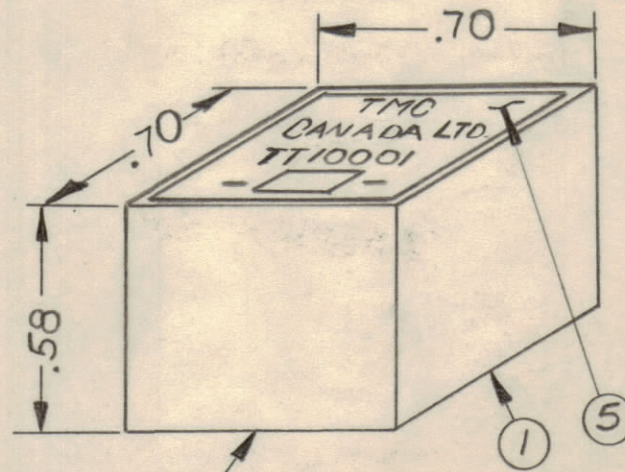
COLOUR CODE MARKING

BOTTOM VIEW



SECOND NUMBER FIRST NUMBER

TYP FOR ALL SKETCHES



NOTE :-

- 1- COLOUR CODE INDICATES LAST TWO DIGITS IN TMC PART NO.
- 2- *- INDICATES POSITION OF NAMEPLATE

REQ.	ITEM	PART NO.	DESCRIPTION	SYMBOL
AR 1		BP10011	CASE	
AR 2		CI10011-1-Q2	CORE	
AR 3		RC076F100J	RESISTOR FIXED	
AR 4		WI10002-2	WIRE MAGNET	
AR 5		NP10157	NAMEPLATE	
AR 6		GL130	Q-DOPE	
AR 7		GL10005-3110H	ENCAPSULANT	

TMC PART NO.	WIND NO. OF TURNS AS INDICATED BELOW	STAGE 2	STAGE 3	STAGE 4			STAGE 5	STAGE 6	STAGE 7	COLOUR CODE	ITEM 2 CORE	NOTE :-	SCHEMATIC DETAILS
				INDUCTANCE IN μ H	Q-MINIMUM	TEST FREQUENCY							
TT 10001-31	18	WIND 3 TURNS OF ITEM NO. 4 AS SHOWN IN SKETCH 2. WIND 3 TURNS OF ITEM NO. 4 AS SHOWN IN SKETCH 3	AND BAKE FOR 1/2 HR AT 125°F	9.0 ± .5 μ H		7.9 MHZ	3	MOUNT TRANSFORMER ON BASE AND CONNECT WIRES TO CORRESPONDING NUMBERED PINS	POT TRANSFORMER USING ITEM 7 AS PER SPEC. S10149.	ORN/BRN	CI 10011-1-Q2	1- DIRECTION OF WINDING TO BE CLOSELY FOLLOWED AS SHOWN BELOW 2- ALL TRANSFORMER LEADS TO BE 1 INCH LONG. 3- TIN ALL LEADS BACK 3/4 INCH.	
TT 10001-32	18	MOUNT TRANSFORMER ON BASE AND CONNECT WIRES TO CORRESPONDING NUMBERED PINS		9.0 ± .5 μ H		7.9 MHZ	3	INSTALL RESISTOR ITEM NO. 3 BETWEEN PINS 1 AND 2 AND WIND 1 LOOP ROUND CORE CONNECTING PINS 2 & 9 AS IN SKETCH 2.	POT TRANSFORMER USING ITEM 7 AS PER SPEC. S10149.	ORN/RED	CI 10011-1-Q2		
TT 10001-33	16	WIND 4 TURNS OF ITEM NO. 4 AS SHOWN IN SKETCH 2.	DIP COIL IN ITEM NO. 7 FOR 1/2 HR AT 125°F	7.5 ± .5 μ H		7.9 MHZ	3	MOUNT TRANSFORMER ON BASE AND CONNECT WIRES TO CORRESPONDING NUMBERED PINS AND INSTALL A JUMPER BETWEEN PINS 1 AND 9.	POT TRANSFORMER USING ITEM 7 AS PER SPEC. S10149.	ORN/ORN	CI 10011-1-Q2		

TOLERANCES		SCALE:
ALL OTHERS	DEC. DIM. ± FRAC. DIM. ± ANGULAR DIM. ±	DRILL, PUNCH, COMMERCIAL STOCK SIZES AND MANUFACTURERS TOLERANCES ARE NOT INCLUDED.

MODEL	PROJECT NO.	ASSY. NO.	DATE
	059/67		JUNE 21/67

STOCK SIZE		TMC (Canada) LIMITED OTTAWA ONTARIO	
MATERIAL		TRANSFORMER	
WEIGHT PER PC.		RF, TUNED	
TYPE & TEMPER.		RPL	
HEAT TREAT. SPEC.		DRAWN	ELEC. DES. APP.
FINISH & SPEC. NO.		CHECKED	FINAL APPROVAL
SHEET 3 of 3 TT 10001 D			