

REQ. PER. UNIT	USED ON		
	MODEL	ASSY. NO.	DATE
3	SBE-3	AX-205	11-12-59

TT-100 B

ELECTRICAL SPECIFICATIONS

INDUCTANCE-

L1-205 μ hy (195 to 220)
 L2-205 μ hy (195 to 220)

Q

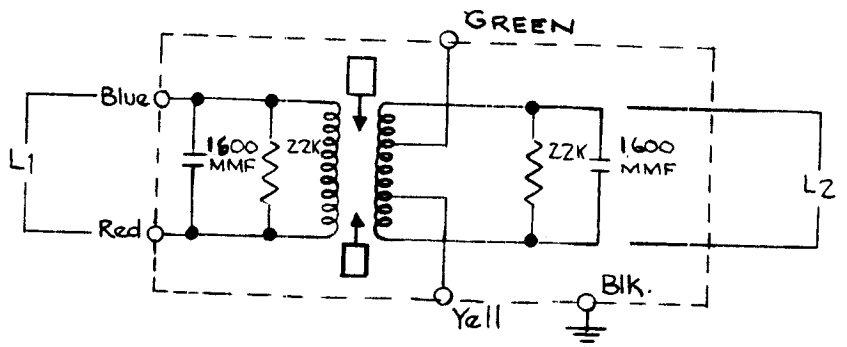
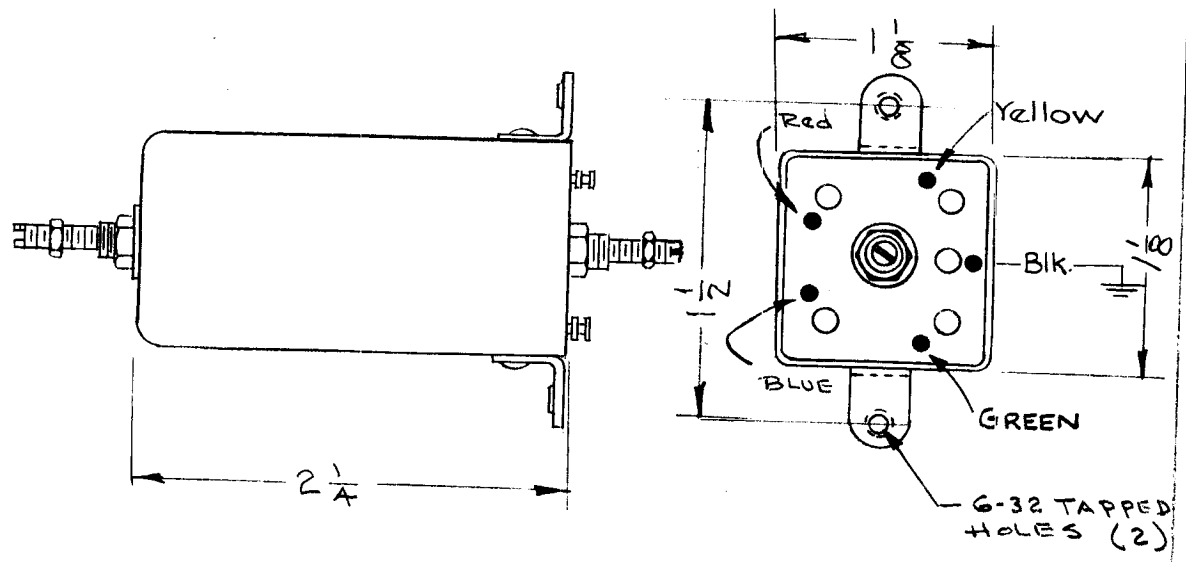
L1-35 or Greater at 790kc.
 L2-35 or Greater at 790kc.

TEST FREQ.

790 kc.

OPERATING FREQ

250kc to 270 Kc



ISSUE	ITEM	CHANGED FROM	DATE	CH. NO.	DRAFTS	CHECKER	ENG. APP.	REQ. ITEM	PART NO.	DESCRIPTION	SYMBOL
B	2	ON OPERATING FREQ. to 270Kc added	8-17-61	5449	G.D.L.	R.U.				THE TECHNICAL MATERIEL CORP. MAMARONECK, NEW YORK	TT-100 B
A	1	ON ELECTRICAL SPECIFICATIONS L1 & L2 WERE 200 to 210	5-17-60	2283							
		COLOR CHANGE GREEN WAS YELLOW								250 kc to 270, Kc	
TOLERANCES			SCALE:		NPL		2A-1804		DRAWN: [Signature] CHECKED: [Signature] FINAL APPROVAL: [Signature]		
DEC. DIM. \pm FRAC. DIM. \pm ANGULAR DIM. \pm			MAXIMUM ALLOWABLE TOLERANCES HAVE BEEN DETERMINED AND ANY DEVIATIONS WILL BE CAUSE FOR REJECTION. REMOVE ALL BURRS AND SHARP EDGES								
									FINISH & SPEC. NO. ELEC. DES. APP MECH. DES. APP		