

5

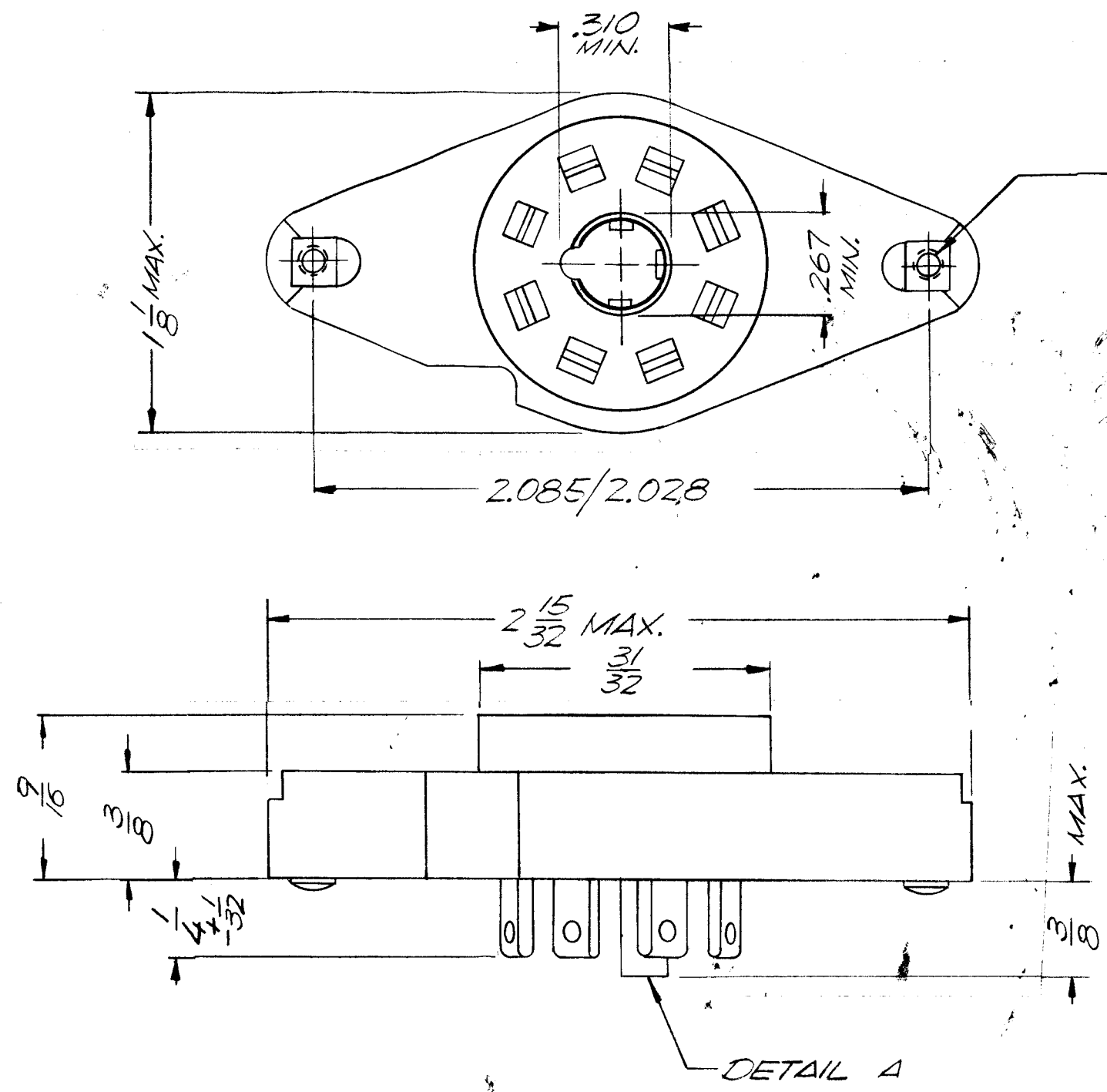
4

3

2

1

| REVISIONS | | | | | | | |
|-----------|-----|------------------------|----------|----------|-------|------|------|
| ZONE | LTR | DESCRIPTION | DATE | E.M.N.NO | DRAFT | CHKD | APPD |
| | X | EXP. RELEASE | 3-4-70 | | GE | | |
| | Ø | ORIG. RELEASE FOR PROD | | | CV | | |
| | A | CHG. DIM. TO FRACTIONS | 12/21/70 | 20174 | GE | W | RE |



2-56 UNC X .180 DP. THDS.
 .250
 2 PLACES

SOCKET SPECIFICATIONS

SOCKET BODY: 96% ALUMINA CERAMIC
CONTACTS: NON FERROUS SPRING ALLOY, HEAT TREATED AND SILVER PLATED.

THREADED INSERT: BRASS, SILVER PLATED
HARDWARE: STAINLESS STEEL OR BRASS, NICKEL PLATED

WEIGHT: .093 LB. MAX.
OPERATING TEMP.: 175° C MAX.

ALL DIMENSIONS ARE FOR REFERENCE INFORMATION ONLY AND ARE NOT REQUIRED FOR INSPECTION PURPOSES.

NOTE: USED FOR MTG. TUBE 4CX350

| REQ'D | ITEM | PART NUMBER | DESCRIPTION | SYM. |
|---|------|-------------|------------------------------|----------|
| LIST OF MATERIAL | | | | |
| THE TECHNICAL MATERIEL CORP. MAMARONECK, NEW YORK | | | | |
| SOCKET TUBE | | | | |
| FINAL APPROVAL | | DATE | THE TECHNICAL MATERIEL CORP. | |
| MECH. DES. | | DATE | MAMARONECK, NEW YORK | |
| EL. DES. | | DATE | SOCKET TUBE | |
| CHECKED | | DATE | | |
| DRAWN | | DATE | SIZE | ISSUE |
| SAOI-23 (SK 660-60) | | 3-4-70 | B | A |
| MATERIAL | | | CODE IDENT. NO. | DWG NO. |
| FINISH | | | 82679 | TS 197 |
| NOTICE TO PERSONS RECEIVING THIS DRAWING | | | SCALE | SHEET OF |
| THE TECHNICAL MATERIEL CORPORATION claims proprietary right in the material disclosed hereon. This drawing is issued in confidence for engineering information only and may not be reproduced or used to manufacture anything shown hereon without permission from THE TECHNICAL MATERIEL CORPORATION to the user. This drawing is loaned for mutual assistance and is subject to recall at any time. | | | | 1 OF |

| | | |
|-------------|---------------|-----------|
| 1 | PALAD K | AX 5080 |
| QTY / UNIT | MODEL USED ON | ASS'Y NO. |
| APPLICATION | | |
| CODE | | |

