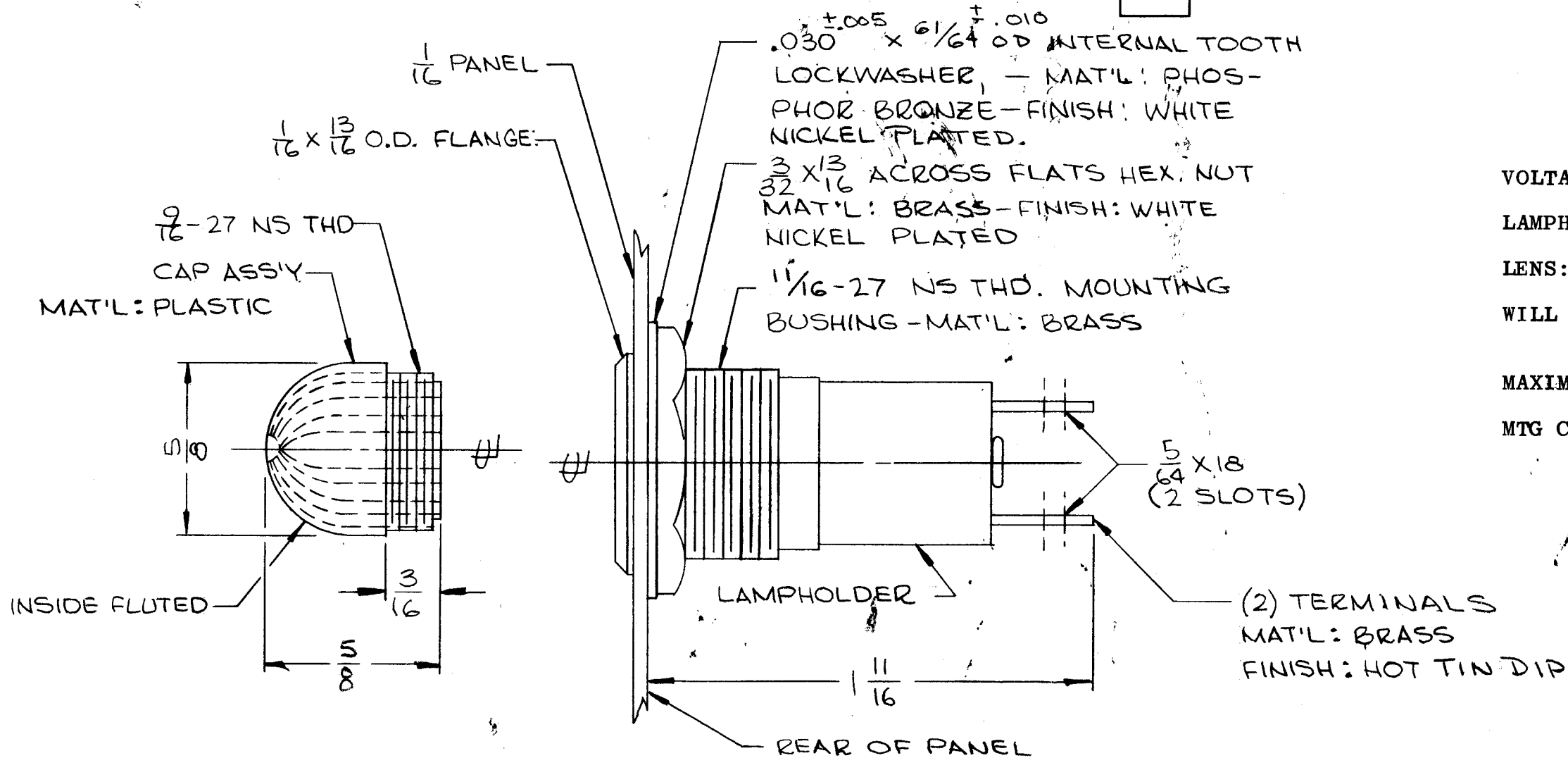


STANDARD DRAWING

TMC P/N	MFG PART NUMBER	LENS COLOR	RESISTOR Ω	LAMP
TS185-1	52-5763-0991-331	RED	33 K	NE 51 H
-2	52-5763-0993-331	AMBER (YELLOW)	33 K	NE 51 H
-3	52-5763-0995-331	WHT (TRANSLUCENT)	33 K	NE 51 H

REVISIONS					
SYM	DESCRIPTION	DATE	E.M.N. NO.	DRAFT	CHKD
X	EXPERIMENTAL RELEASE	10.20.66	tt	WFO	file
Ø	ORIGINAL RELEASE FOR PRODUCTION	12.20.66	tt	WFO	

TS185



SPECIFICATIONS

- VOLTAGE: 115 VAC
- LAMPHOLDER FINISH: POLISHED CHROME (STD)
- LENS: PLASTIC, INSIDE FLUTED
- WILL ACCOMODATE: T-3 1/4 NEON BULB, MINIATURE BAYONET BASE
- MAXIMUM PANEL THICKNESS: 3/8
- MTG CLEARANCE HOLE: 11/16 DIA

REQ'D.	ITEM	PART NUMBER	DESCRIPTION	SYMBOL
BUTLER LIST OF MATERIAL				
MATERIAL			THE TECHNICAL MATERIEL CORP.	
SEE PICTORIAL			MAMARONECK, NEW YORK	
FINISH			TITLE	
SEE PICTORIAL			INDICATOR, LIGHT W/ BUILT-IN RESISTOR	
UNLESS OTHERWISE SPECIFIED DIMENSIONS ARE IN INCHES AND INCLUDE CHEMICALLY APPLIED OR PLATED FINISHES			DRAWN <i>WFO</i> DATE 10/26/66 CHECKED <i>file</i> DATE 10/28/66 ELECT. DES. <i>file</i> DATE 10/28/66 MECH. DES. DATE	FINAL APPROVAL <i>LB</i> <i>WFO</i> TS185 SHEET
DECIMALS .X ± .05 .XX ± .01 .XXX ± .005			FRACTIONS ± 1/64 ANGLES ± 0° 30'	TOLERANCES DATE REV. LTR.

PSP-350-C		
Q'TY./UNIT	MODEL USED ON	ASS'Y. NO.
SCALE	CODE	5401-153

NOTES

THE CONTENTS OF THIS DRAWING ARE THE EXCLUSIVE PROPERTY OF THE TECHNICAL MATERIEL CORP. ITS UNAUTHORIZED USE OR REPRODUCTION IN WHOLE OR IN PART IS STRICTLY FORBIDDEN.