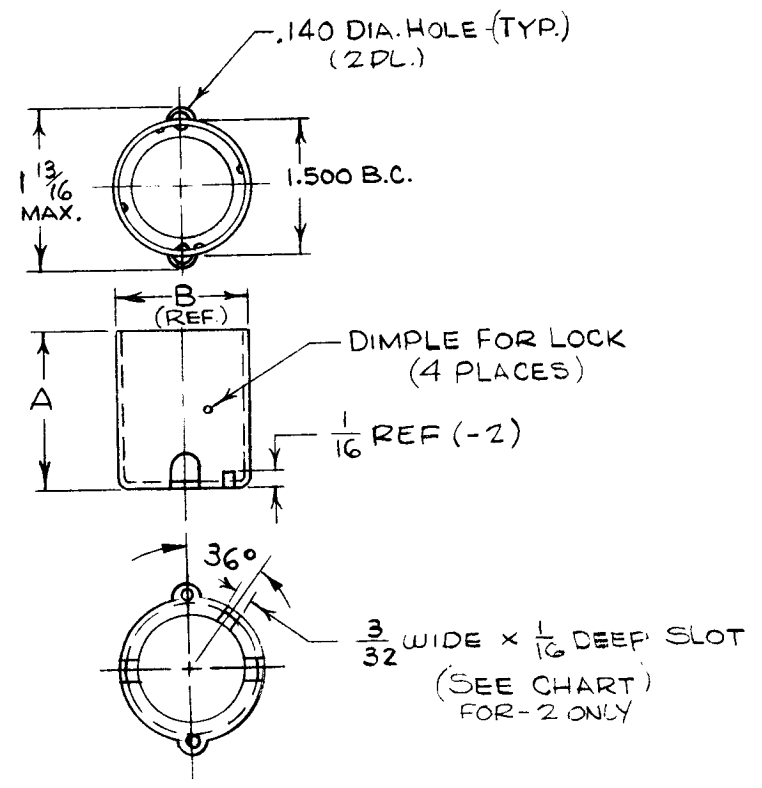


TMC PART NO.	MFG PART NO.	A	B	USED WITH	TYPE	REQ. PER UNIT	USED ON			TS177	E
							MODEL	ASS'Y. NO.	DATE		
							CHG-3		6-16-65		
TS177-1	T9-3001-7H	1 5/8	1.500	TS178-1	STD.	<h1>STANDARD DRAWING</h1>					
TS177-2	T9-3001H-7H	1 5/8	1.500	TS178-1	MODIFIED W/SLOTS						
TS177-3	T9-3000-7H	1	1.500	TS178-1	MODIFIED CUT DOWN						

MATERIAL:
ALUMINUM

FINISH:
BLACK DRY CONDUCTIVE LUBRICANT
" HENDER LUBE "



						REQ. ITEM	PART NO.	DESCRIPTION				SYMBOL		
								THE TECHNICAL MATERIEL CORP. MAMARONECK. NEW YORK						
								BASE, TUBE SHIELD						
B. -2, -3 MRF P/N UPDATED								MATERIAL						
A. TS177-3 ADDED														
SYM	DESCRIPTION	DATE	CH. NO.	DRAFTS	CHECKER	ENG. APP.	TYPE & TEMPER		HEAT TREAT. SPEC.	DRAWN		CHECKED	FINAL APPROVAL	
UNLESS OTHERWISE SPECIFIED DIMENSIONS ARE IN INCHES AND INCLUDE CHEMICALLY APPLIED OR PLATED FINISHES		SCALE												
DECIMALS .X ± .05 .XX ± .01 .XXX ± .005	TOLERANCES	FRACTIONS ± 1/64 ANGLES ± 0° 30'	CODE C	S401-312							H. AUSTIN			
						FINISH & SPEC. NO.		ELEC. DES. APP.		MECH. DES. APP.		TS177		