

STANDARD DRAWING

REQ. PER UNIT

USED ON

MODEL

ASS'Y. NO.

DATE

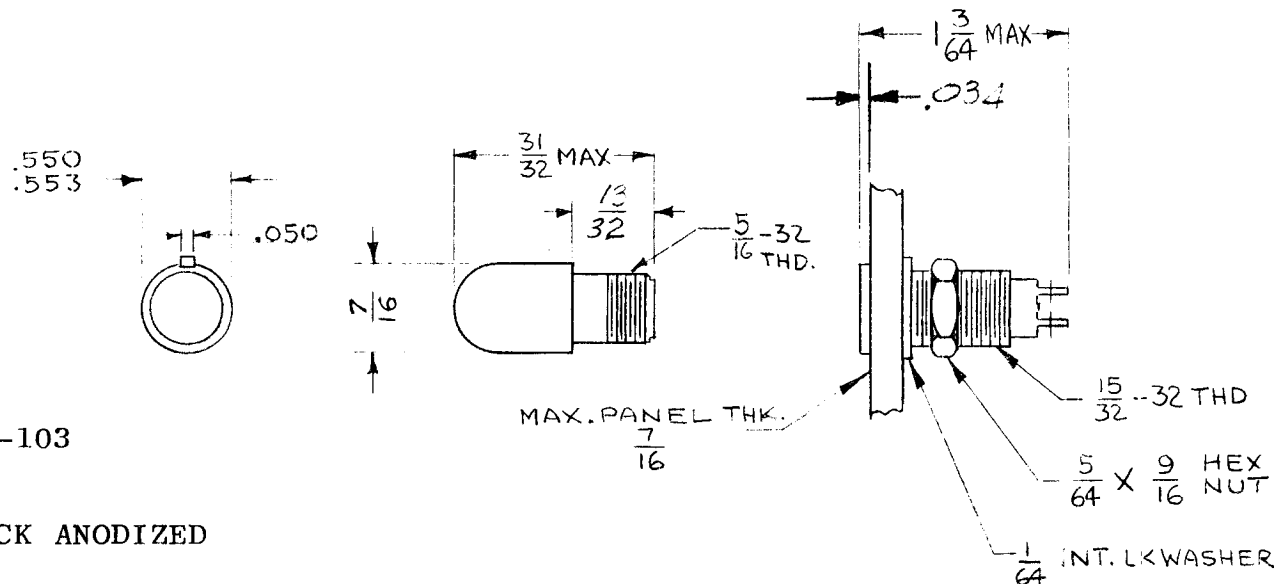
BSP-4

7-10-64

TS175

A

TMC P/N	MFG PART NO.	LENS COLOR	RESISTOR	LAMP USED
TS-175-1	137-8864-935-532	WHITE	33KΩ	B111-2



NOTE: FOR REPLACEMENT OF LENS USE LI-103

MATERIAL & FINISH:

MOUNTING BUSHING: ALUMINUM WITH BLACK ANODIZED FINISH.

HARDWARE: LOCKWASHER & NUT- STEEL, CADMIUM PLATE WITH IRIDITE COAT.

TERMINALS: BRASS, HOT TINNED (+ SIGN MARKED ON CENTER CONTACT)

REQ.	ITEM	PART NO.	DESCRIPTION				SYMBOL	
A	MFG PT NO. W/137-8864-935 RES. W/13/32W 27/64 .034 ADDED	14904	14/6/64	M.V.	RCB	THE TECHNICAL MATERIEL CORP. MAMARONECK, NEW YORK		
Ø	ORIGINAL RELEASE FOR PRODUCTION	9-9-64	Ø	gfm		INDICATOR, LIGHT, SUB-MIN.		
X	EXPER. RELEASE	7.10.64	X	WB		W/BUILT-IN RESISTOR.		
SYM	DESCRIPTION	DATE	CH. NO.	DRAFTS	CHECKER	ENG. APP.		
UNLESS OTHERWISE SPECIFIED DIMENSIONS ARE IN INCHES AND INCLUDE CHEMICALLY APPLIED OR PLATED FINISHES		SCALE	NONE					
DECIMALS .X ± .05 .XX ± .01 .XXX ± .005	TOLERANCES	FRACTIONS ± 1/64 ANGLES ± 0° 30'	CODE	S401-153				
FINISH & SPEC. NO.		TYPE & TEMPER	HEAT TREAT. SPEC.	DRAWN	CHECKED	FINAL APPROVAL		
				7.10.64	RCB	RCB		
				7.10.64	WB	TS175 A		
				ELEC. DES. APP.	MECH. DES. APP.			