

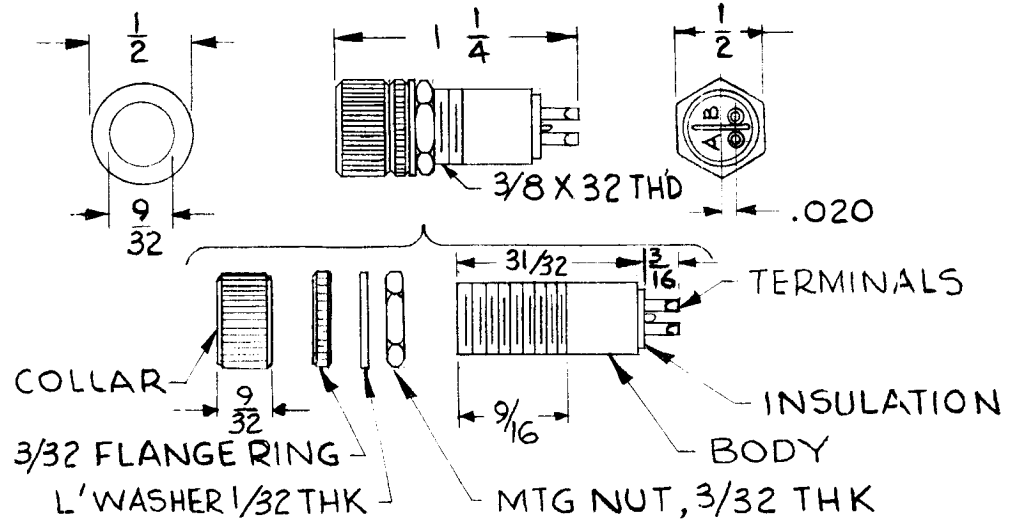
THE CONTENTS OF THIS DRAWING ARE THE EXCLUSIVE PROPERTY OF THE TECHNICAL MATERIEL CORP. ITS UNAUTHORIZED USE FOR REPRODUCTION IN WHOLE OR IN PART IS STRICTLY FORBIDDEN.

REQ. PER UNIT	USED ON			TS-164
	MODEL	ASS'Y. NO.	DATE	
1	TTR-10			

TMC PART NO.	MFR NO.
TS-164-1	7538

SPECIFICATIONS

1. MOUNTING HOLE: 3/8 DIAMETER
2. LAMP ACCOMMODATION: TMC NO. BI-112
3. MATERIALS AND FINISHES:
 - A. Body, Flange Ring and Collar: Aluminum, Black Anodized
 - B. Mounting Nut: Brass, White Nickel Plate
 - C. Lockwasher, Internal Tooth: Phosphor Bronze, White Nickel Plate
 - D. Insulation: Molded
 - E. Terminals: Phosphor Bronze, Silver Plated and Gold Finished



MFR REF DIALIGHT CORP

								REQ. ITEM	PART NO.	KONIN	DESCRIPTION	SYMBOL
											THE TECHNICAL MATERIEL CORP. MAMARONECK. NEW YORK	
											LAMPHOLDER	
SYM	DESCRIPTION	DATE	CH. NO.	DRAFTS	CHECKER	ENG. APP.						
UNLESS OTHERWISE SPECIFIED DIMENSIONS ARE IN INCHES AND INCLUDE CHEMICALLY APPLIED OR PLATED FINISHES		SCALE										
DECIMALS .X ± .05 .XX ± .01 .XXX ± .005		FRACTIONS ± 1/64 ANGLES ± 0° 30'		TOLERANCES		CODE		TYPE & TEMPER	HEAT TREAT. SPEC.	DRAWN	CHECKED	FINAL APPROVAL
										RKohn	4/22/63	TS-164
								FINISH & SPEC. NO.	ELEC. DES. APP.	MECH. DES. APP.		