

THE CONTENTS OF THIS DRAWING ARE THE EXCLUSIVE PROPERTY OF THE TECHNICAL MATERIEL CORP. ITS UNAUTHORIZED USE OR REPRODUCTION IN WHOLE OR IN PART IS STRICTLY FORBIDDEN.

REQ. PER UNIT

MODEL

HFS-1

USED ON

ASS'Y. NO.

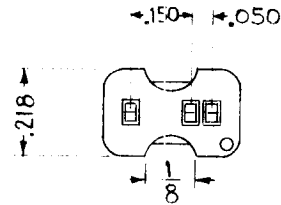
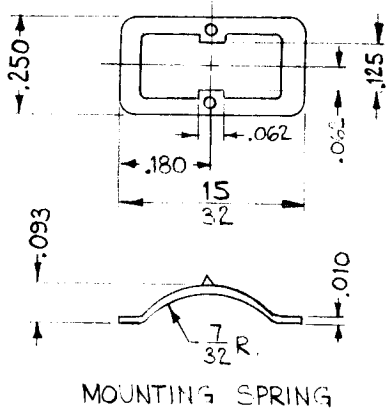
DATE

8-15-62

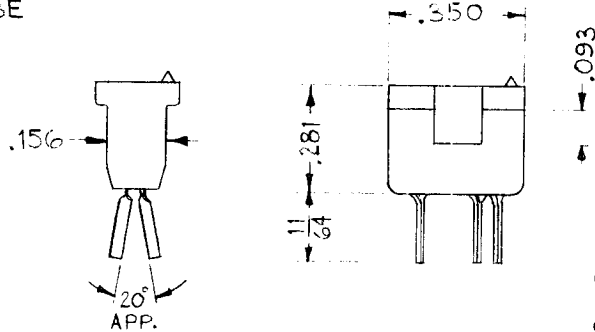
TS-158

SPECIFICATIONS~

CONTACTS ~ HEAT TREATED BERYLLIUM COPPER
 CASTING ~ MICA
 CONTACT FINISH ~ SILVER PLATED
 SPRING ~ TEMPERED STEEL



NOTE ~
 MOUNTING SPRING TO BE SUPPLIED BY MFG.



SOCKET

REF:
 SOCKET MFG NO. 46A20029
 MOUNTING SPRING MFG NO. L0X18516

REQ.	ITEM	PART NO.	J. STRUMMER	DESCRIPTION	SYMBOL	
				THE TECHNICAL MATERIEL CORP.		
				MAMARONECK, NEW YORK		
				SOCKET, TRANSISTOR, 3-PRONG		
SYM	DESCRIPTION	DATE	CH. NO.	DRAFTS	CHECKER	ENG. APP.
UNLESS OTHERWISE SPECIFIED: DIMENSIONS ARE IN INCHES TOLERANCES ON FRAC. ± 1/64 DEC. ± .005 ANGLES ± 1/2°		SCALE: 3401-176 (3M-58)				
MAXIMUM ALLOWABLE TOLERANCES HAVE BEEN DETERMINED AND ANY DEVIATIONS WILL BE CAUSE FOR REJECTION. REMOVE ALL BURRS AND SHARP EDGES		TYPE & TEMPER		HEAT TREAT. SPEC.		
		FINISH & SPEC. NO.		W.G.F.	J. De	RF
				DRAWN	CHECKED	FINAL APPROVAL
				J.M.A.	J.M.A.	TS-158
				ELEC. DES. APP.	MECH. DES. APP.	