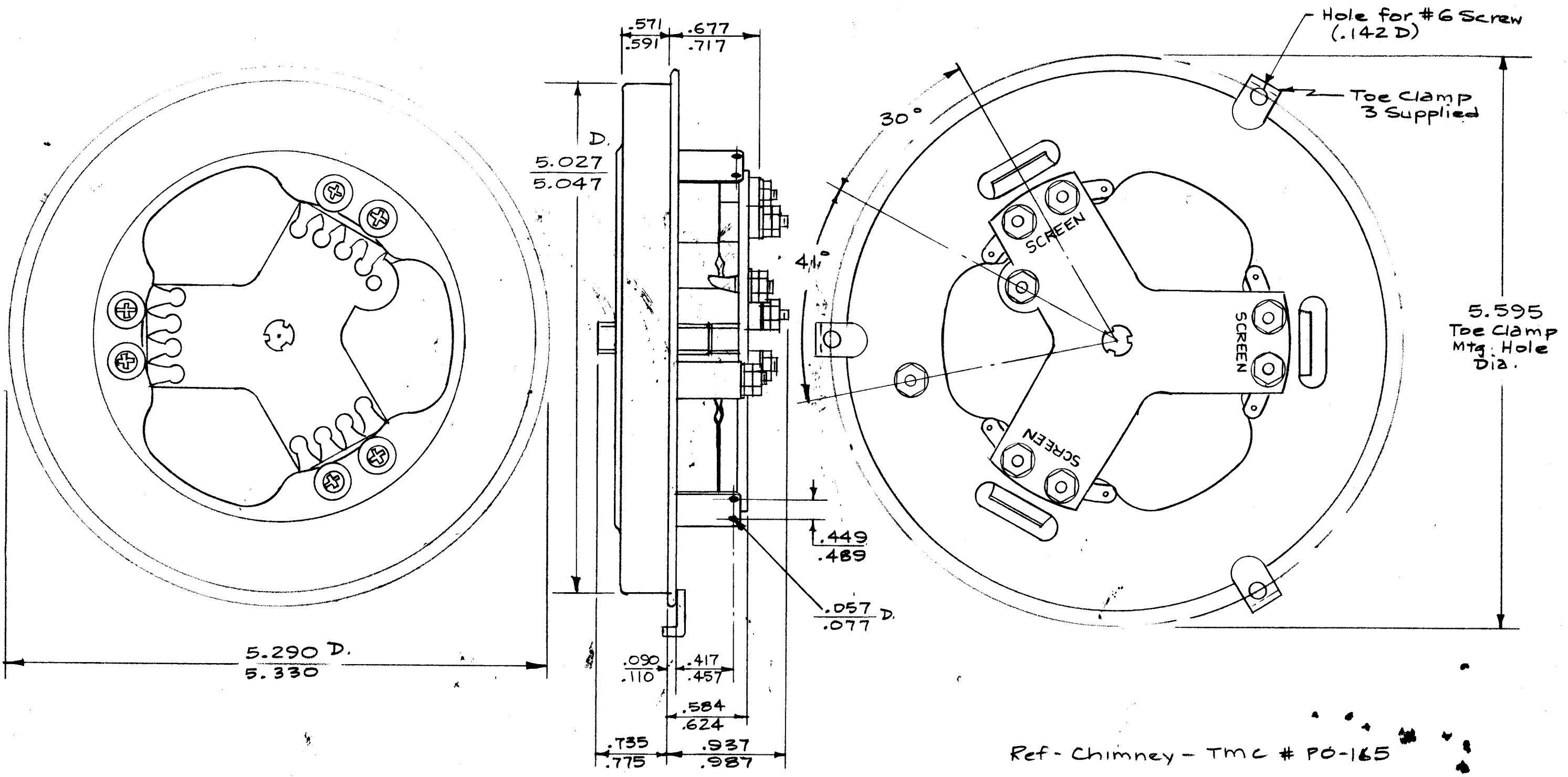


TS-139



Ref - Chimney - TMC # PO-165

Purch. Ref - EIMAC # SK-800

ISSUE	ITEM	CHANGED FROM	DATE	CH. NO.	DRAFTS	CHECKER	ENG. APP.
TOLERANCES		SCALE:					
DEC. DIM. ±		MAXIMUM ALLOWABLE TOLERANCES HAVE BEEN DETERMINED AND ANY DEVIATIONS WILL BE CAUSE FOR REJECTION.					
FRAC. DIM. ±		REMOVE ALL BURRS AND SHARP EDGES					
ANGULAR DIM. ± 1°							

REQ. PER UNIT	MODEL	PROJECT NO.	ASS'Y. NO.	DATE

REQ. ITEM	PART NO.	DESCRIPTION	SYMBOL
THE TECHNICAL MATERIEL CORP. MAMARONECK. NEW YORK			
SOCKET, TUBE, AIR CIRCULATING (FOR 4CX1000A)			
MATERIAL		16	<i>[Signature]</i>
TYPE & TEMPER		HEAT TREAT. SPEC.	DRAWN
			CHECKED
			FINAL APPROVAL
FINISH & SPEC. NO.		ELEC. DES. APP.	MECH. DES. APP.
			TS-139