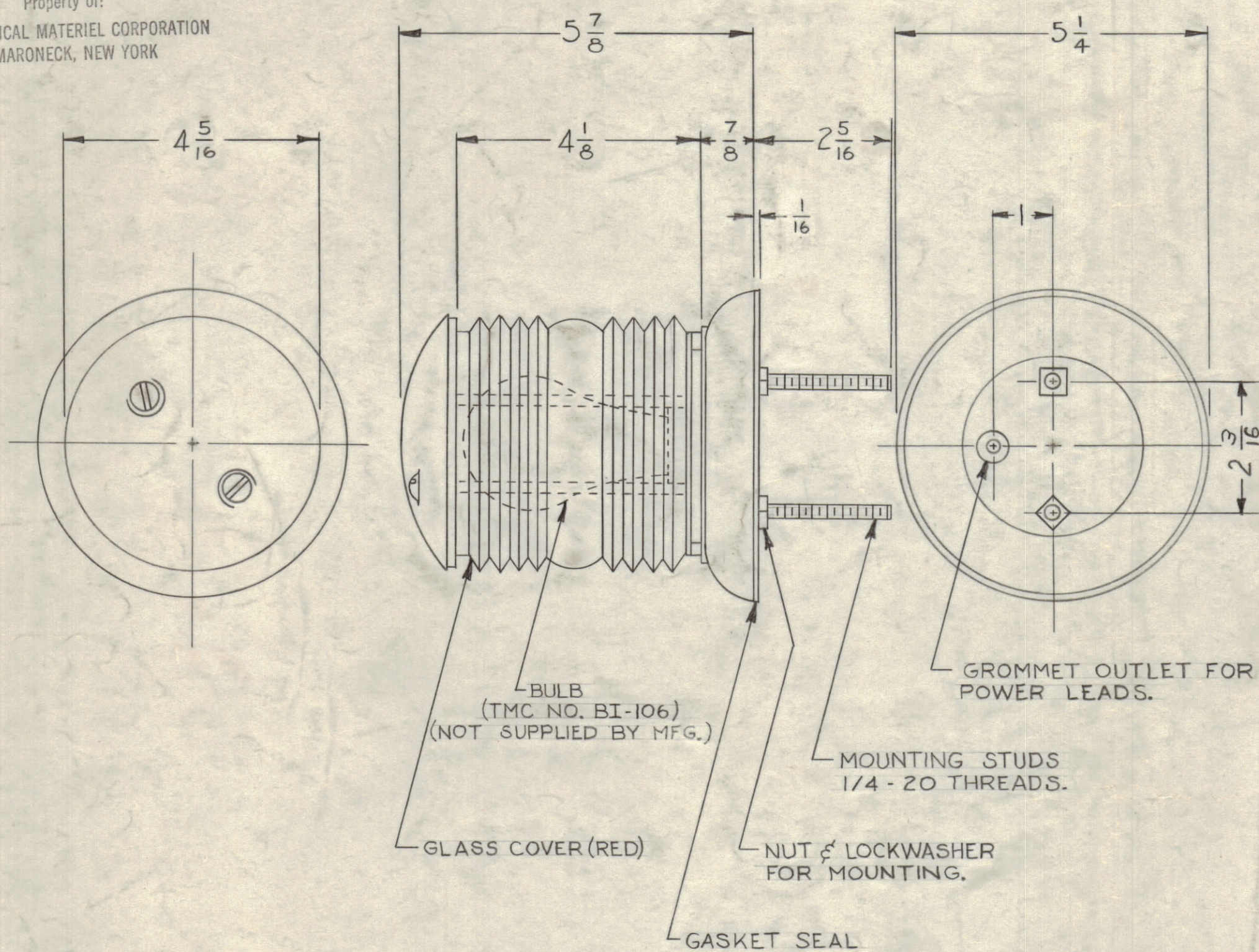


**NOTICE TO PERSONS RECEIVING THIS DRAWING**

THE TECHNICAL MATERIEL CORPORATION claims proprietary right in the material disclosed hereon. This drawing is issued in confidence for engineering information only and may not be reproduced or used to manufacture anything shown hereon without permission from THE TECHNICAL MATERIEL CORPORATION to the user. This drawing is loaned for mutual assistance and is subject to recall at any time.

Property of:  
THE TECHNICAL MATERIEL CORPORATION  
MAMARONECK, NEW YORK



**NOTICE TO PERSONS RECEIVING THIS DRAWING**

THE TECHNICAL MATERIEL CORPORATION claims proprietary right in the material disclosed hereon. This drawing is issued in confidence for engineering information only and may not be reproduced or used to manufacture anything shown hereon without permission from THE TECHNICAL MATERIEL CORPORATION to the user. This drawing is loaned for mutual assistance and is subject to recall at any time.

Property of:  
THE TECHNICAL MATERIEL CORPORATION  
MAMARONECK, NEW YORK

TS-138-B2  
1/4 - 20-RH. BOLT  
5 IN. LG. 3 IN THD.  
2 PER.

TS-138-W1  
FIBER WASHER  
1/4 I.D., 7/16 O.D., 1/16 THK  
2 PER.

TS-138-L  
LENS, RED  
(GILLINDER BROS.)  
#5403  
1 PER.

TS-138-N2  
NUT, HEX.  
8-32 x 5/16 W.  
x 1/8 THK.  
2 PER.

TS-138-W4  
WASHER, FIBER  
11/64 I.D., 3/8 O.D.  
1/16 THK.  
4 PER.

TS-138-G2  
GROCKET  
1/2 O.D., 1/4 I.D.  
3/8 MTG D.  
1/4 THK. (FOR 1/8 THK. PANEL)  
1 PER.

TS-138-S1  
SCREW, MACH.  
8-32 R.H. x 1 IN LG.  
2 PER.

TS-138-N1  
NUT, SQUARE  
12-24 x 7/16 SQ x 5/16 THK.  
2 PER.

TS-138-G2  
GASKET, BASE  
4 ID., 5 1/2 O.D.,  
1/8 THK  
1 PER.

TS-138-C  
CAP, TOP  
ALUM. CAST  
CHROME PLATE  
1 PER.

TS-138-G1  
GASKET, LENS  
NEOPRENE  
3 3/16 I.D.  
4 1/8 O.D.  
2 PER.

TS-138-H  
LAMPHOLDER  
(RODALE)  
#138  
1 PER

TS-138-B1  
BASE  
ALUM. CASTING  
CHROME PLATE  
1 PER.

TS-138-W5  
WASHER, LOCK,  
INT. #12  
2 PER.

TS-138-B3  
12-24 RH. BOLT  
x 2-1/2 IN. LG.  
2 PER.

TS-138-W2  
WASHER, FLAT  
NO. 12 9/16 O.D.  
1/16 THK. 2 PER.

TS-138-W3  
WASHER, LOCK, SPLIT  
NO. 12, 1/2 O.D., 1/16 THK  
2 PER.

PARTS ASS'Y.  
DETAIL

| REQ. ITEM  | PART NO. | DESCRIPTION                     | SYMBOL |
|--|----------|---------------------------------|--------|
| THE TECHNICAL MATERIEL CORP.<br>MAMARONECK, NEW YORK |          |                                 |        |
| SOCKET, LAMP,<br>W/ LENS                             |          |                                 |        |
| DRAWN  |          | G.S. RUZZO                      |        |
| CHECKED  |          | JPM                             |        |
| TYPE & TEMPER  |          | HEAT TREAT. SPEC.               |        |
| FINISH & SPEC. NO.                                   |          | ELEC. DES. APP. MECH. DES. APP. |        |
| REQ. PER UNIT  |          | DATE                            |        |
| MODEL  |          | SECTION                         |        |
| ASS'Y. NO.   |          | DATE                            |        |
| USED ON  |          | DATE                            |        |
| FINISH & SPEC. NO.                                   |          | ELEC. DES. APP. MECH. DES. APP. |        |
| SHEET OF   |          | SHEET OF                        |        |

| SYM                            | ZONE | DESCRIPTION                         | DATE   | CH. NO. | DRAFTS | CHECKER       | ENG. APP. |
|--------------------------------|------|-------------------------------------|--|---------|--------|---------------|-----------|
| A                              |      | REDRAWN FROM (2) SIZE, DETAIL ADDED | 1-23-62  | 6222    | G.S.   |               |           |
| UNLESS OTHERWISE SPECIFIED:    |      |                                     | SCALE 5401-62 (RA-L)   |         |        |               |           |
| DIMENSIONS ARE IN INCHES       |      |                                     | MAXIMUM ALLOWABLE TOLERANCES HAVE BEEN DETERMINED AND ANY DEVIATIONS WILL BE CAUSE FOR REJECTION. REMOVE ALL BURRS & SHARP EDGES |         |        |               |           |
| TOLERANCES ON FRACTIONS ± 1/64 |      |                                     | DECIMALS ± .005  |         |        | ANGLES ± 1/2° |           |