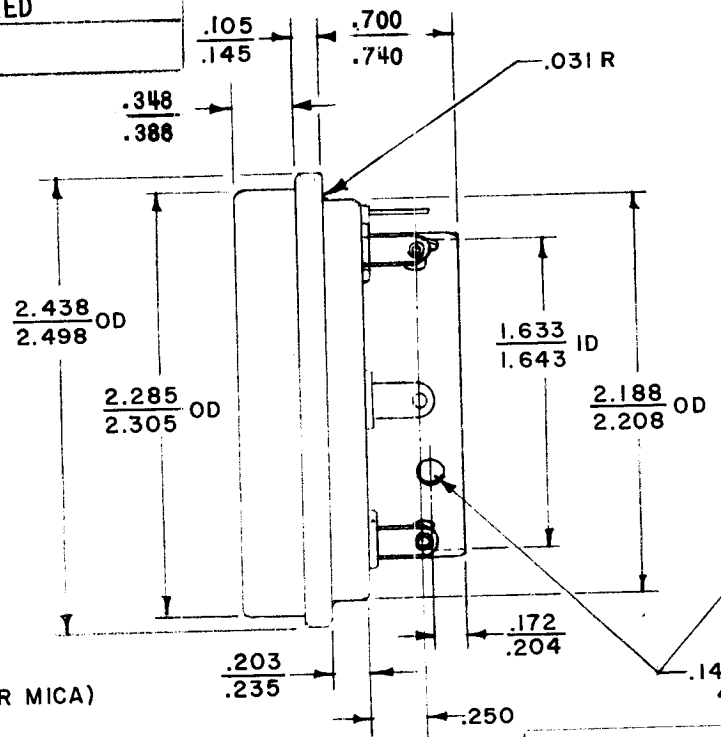
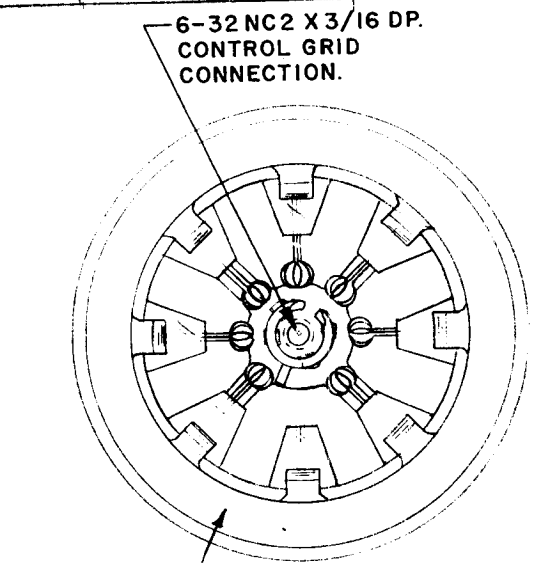


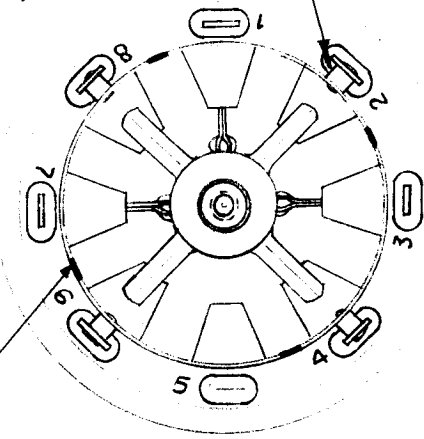
TMC P/N	MFR "A"	MFR "B"	CATHODE OR GROUND
TS132	SK630	124-116-1	RIVET CONN (AS SHOWN)
TS132 -2	SK620A		NOT REQUIRED

REQ. PER UNIT	USED ON		
	MODEL	ASSY. NO.	DATE
2	RFA-1		7-15-58

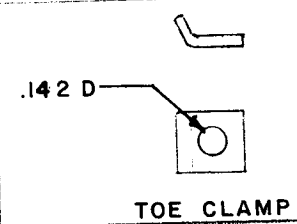
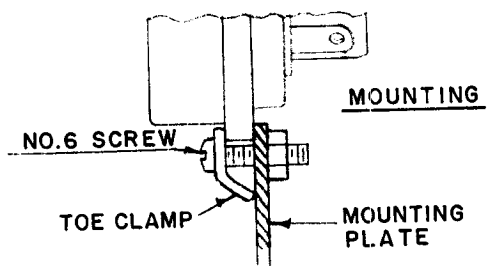
TS-132 B



CATHODE GROUND RIVET CONNECTION NO'S. 2, 4, 6, & 8. WHEN REQUIRED (SEE CHART)



- PIN CONNECTIONS**
- NO. 1 SCREEN GRID
 - NO. 2 CATHODE
 - NO. 3 HEATER
 - NO. 4 CATHODE
 - NO. 5 NO CONN.
 - NO. 6 CATHODE
 - NO. 7 HEATER
 - NO. 8 CATHODE



NOTE: 3 TOE CLAMPS TO BE SUPPLIED BY MFG. CLAMPS TO BE MOUNTED ON A 2.610 D. CIRCLE, 120° APART.

MFGR: A. S401-23
B. S401-47

B	CHART ADDED DIM. CHGD	5/17/68	CV	FB			
A	JOHNSON No. 124-115	9/5/53	444	Mc	sig	A.J.S.	
ISSUE	ITEM	CHANGED FROM	DATE	CH. NO.	DRAFTS	CHECKER	ENG. APP.
TOLERANCES		SCALE:					
DEC. DIM. ±		MAXIMUM ALLOWABLE TOLERANCES HAVE BEEN DETERMINED AND ANY DEVIATIONS WILL BE CAUSE FOR REJECTION.					
FRAC. DIM. ±		REMOVE ALL BURRS AND SHARP EDGES					
ANGULAR DIM. ±							

REQ. ITEM	PART NO.	DESCRIPTION	SYMBOL
		THE TECHNICAL MATERIEL CORP. MAMARONECK. NEW YORK	
STOCK SIZE		SOCKET, ELECTRON TUBE, AIR SYSTEM	
MATERIAL			
TYPE & TEMPER		DRAWN	
HEAT TREAT. SPEC.		CHECKED	
FINISH & SPEC. NO.		FINAL APPROVAL	
		167/15/58 A.J.S.	
		ELEC. DES. APP. MECH. DES. APP.	

TS-132 B