

— INSULATOR MATERIAL —	
SYMBOL	MATERIAL
G	Bakelite, General Purpose
M	Bakelite, Mica Filled
C	Ceramic

—CHART 1

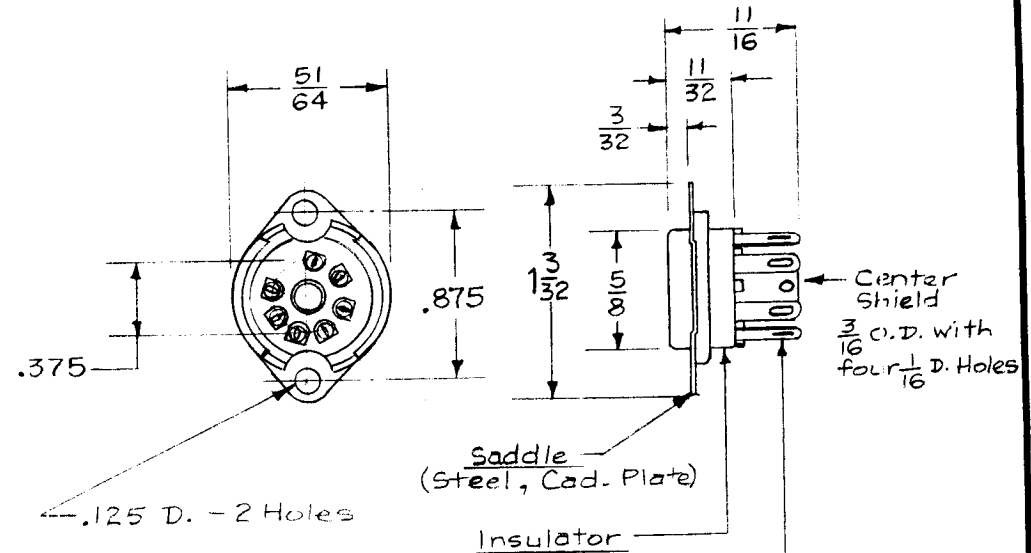
— CONTACT MATERIAL —	
SYMBOL	MATERIAL & FINISH
B	Brass, Cadmium Plate
P	Phosphur Bronze, Cad. Plate
S	Bery'l'm Copper, Silver Plate
T	Brass, Hot Tin Dipped

—CHART 2

— CENTER SHIELD —	
SYMBOL	DESCRIPTION
W	With Center Shield
N	W/O Center Shield

—CHART 3

REQ. PER UNIT	USED ON		
	MODEL	ASS'Y. NO.	DATE
			TS-130



CONTACTS - Single Wire Holes, .042 X .140

Type Designation

TS-130 - G - B - W

TMC PART NO. (7 Pin Socket, Commercial)
 INSULATOR MAT. (See Chart 1)
 CONTACT MATERIAL (See Chart 2)
 CENTER SHIELD (See Chart 3)

Ref - ELCO Corp.; EBY Inc

REQ.	ITEM	PART NO.	DESCRIPTION				SYMBOL
			THE TECHNICAL MATERIEL CORP. MAMARONECK. NEW YORK				
			SOCKET, ELECTRON TUBE, 7 PIN MIN., BOTTOM MTG.				
ISSUE	ITEM	CHANGED FROM	DATE	CH. NO.	DRAFTS	CHECKER	ENG. APP.
TOLERANCES			SCALE:				
DEC. DIM. ± .005			MAXIMUM ALLOWABLE TOLERANCES HAVE BEEN DETERMINED AND ANY DEVIATIONS WILL BE CAUSE FOR REJECTION.				
FRAC. DIM. ±			REMOVE ALL BURRS AND SHARP EDGES				
ANGULAR DIM. ±							
TYPE & TEMPER		HEAT TREAT. SPEC.		DRAWN		CHECKED	
FINISH & SPEC. NO.		ELEC. DES. APP.		MECH. DES. APP.		TS-130	