

IF IT IS FOUND DESIRABLE TO CHANGE TOLERANCE OR OTHER DETAIL SPECIFIED ON THIS DRAWING NOTIFY THE PURCHASER PROMPTLY.

MAXIMUM ALLOWABLE TOLERANCES HAVE BEEN DETERMINED AND DEVIATIONS WILL BE CAUSE FOR REJECTION. REMOVE ALL BURRS AND SHARP EDGES

TS-125 B

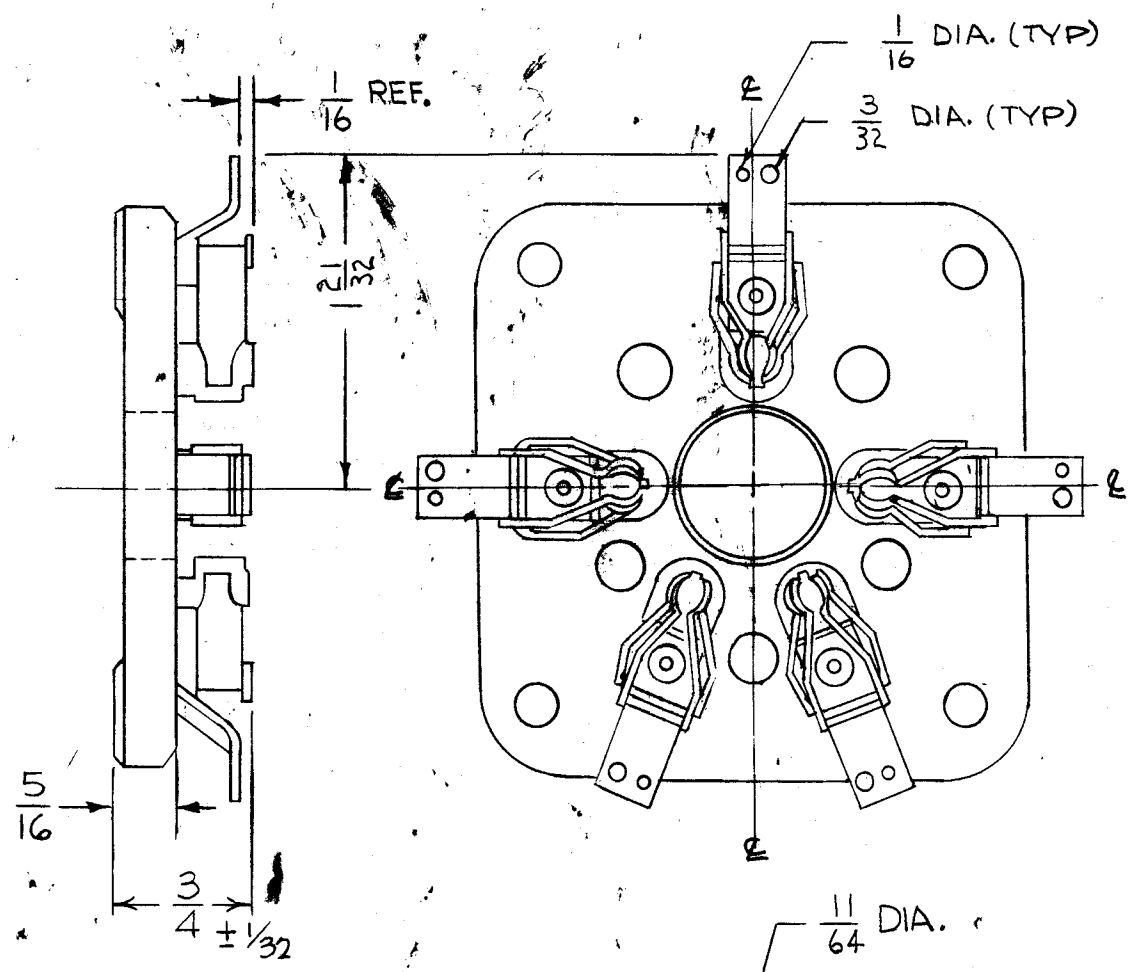
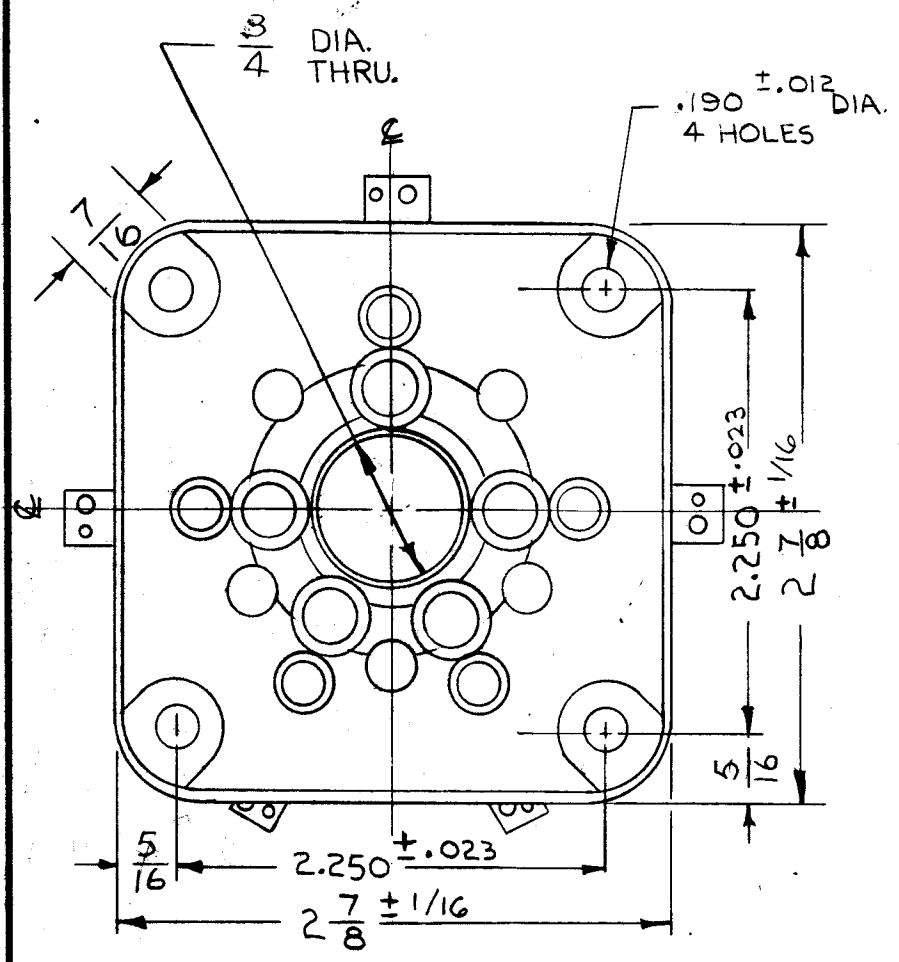
T.M.C. NO.	CAT. NO.	TYPE
TS-125-1	122-275-1	STANDARD
TS-125-2	122-275-100	INDUSTRIAL
TS-125-3	122-275-200	MILITARY

NOTE:
 STEATITE BASE: TOP & SIDE GLAZED DOW CORNING - 200 TREATED.
 FUNGUS RESISTANT WASHERS UNDER CONTACT.

STANDARD TYPE: CONTACTS, BRASS CLIP & STEEL SPRING .0002 CADMIUM PLATE

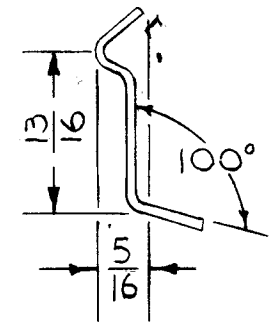
INDUSTRIAL TYPE: CONTACTS, PHOSPHOR BRONZE CLIP-BERYLLIUM COPPER SPRING, .0005 SILVER PLATED.

MILITARY TYPE: CONTACTS, PHOSPHOR BRONZE CLIP, BERYLLIUM COPPER SPRING .001 SILVER PLATED.
 TERMINALS HOT TIN DIPPED.
 RIVETS BRASS .0003 NICKEL PLATED



DIM FOR REF ONLY

RETAINER CLIP



ISSUE	ITEM	CHANGED FROM	DATE	CN. NO.	DRAFTS	CHECKER	ENG. APP.
B	1	REVISED, PICT. COMPL.	8/18/66	16754	RME	<i>[Signature]</i>	<i>[Signature]</i>
A	1	RETAINER CLIPS & CORRESPONDING NOTES ADDED	12/1/56	1	16	<i>[Signature]</i>	<i>[Signature]</i>

TOLERANCES		SCALE: S401-47 (122-275)
ALL OTHERS	DEC. DIM. ± FRAC. DIM. ± 1/64 ANGULAR DIM. ±	DRILL, PUNCH, COMMERCIAL STOCK SIZES AND MANUFACTURERS TOLERANCES ARE NOT INCLUDED.

REQ. PER UNIT	MODEL	PROJECT NO.	ASSY. NO.	DATE

REQ.	ITEM	PART NO.	DESCRIPTION	SYMBOL
			THE TECHNICAL MATERIEL CORP. MAMARONECK, NEW YORK	
			SOCKET, GIANT 5 PIN	
			MATERIAL WEIGHT PER PC.	
			TYPE & TEMPER	
			HEAT TREAT. SPEC.	
			FINISH & SPEC. NO.	

TS-125 B