

IF IT IS FOUND DESIRABLE TO CHANGE ANY TOLERANCE OR OTHER DETAIL SPECIFIED ON THIS DRAWING NOTIFY THE PURCHASER PROMPTLY.

TS-122

MAXIMUM ALLOWABLE TOLERANCES HAVE BEEN DETERMINED AND DEVIATIONS WILL BE CAUSE FOR REJECTION. REMOVE ALL BURRS AND SHARP EDGES

REQ. PER UNIT

USED ON

MODEL

PROJECT NO.

ASS'Y. NO.

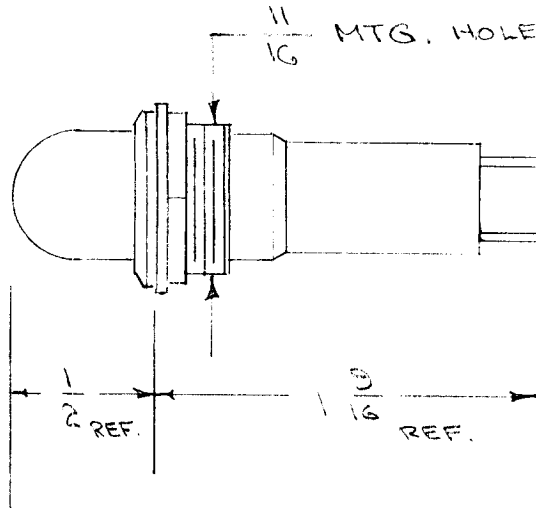
DATE

1

RACP/S

11/9/53

NUT & LOCKWASHER FURNISHED



REF: DIAL LIGHT CO. OF AMER. 52408-995

REQ.	ITEM	PART NO.	DESCRIPTION	SYMBOL
			THE TECHNICAL MATERIEL CORP.	
STOCK SIZE			MAMARONECK. NEW YORK	
			LIGHT, INDICATOR w/LENS	
MATERIAL			WEIGHT PER PC.	
TYPE & TEMPER			CDD. 11/9/53	<i>[Signature]</i>
			DRAWN	ELEC. DES. APP. MECH. DES. APP.
HEAT TREAT. SPEC.			<i>[Signature]</i>	<i>[Signature]</i>
			CHECKED	FINAL APPROVAL
FINISH & SPEC. NO.			TS-122	

ISSUE ITEM CHANGED FROM DATE CN. NO. DRAFTS CHECKER ENG. APP.

TOLERANCES

SCALE

ALL OTHERS

DEC. DIM. ±
FRAC. DIM. ±
ANGULAR DIM. ±

DRILL, PUNCH, COMMERCIAL STOCK SIZES AND MANUFACTURERS TOLERANCES ARE NOT INCLUDED.