

TMC P/NO.	MFG P/NO.	NO. OF PINS	FIGURE
TS213-1	8058-3964	8	2
TS213-2	8058-1620	12	2

REVISIONS							
E.M.N. NO.	DRAFT	CHKD	ZONE	LTR	DESCRIPTION	DATE	APPROVED
	GDL			Ø	ORIGINAL RELEASE	12-22-75	
21472	GDL	<i>[Signature]</i>		A	TS213-1 MFG P/NO. WAS 8058-1645	10-18-76	<i>[Signature]</i>

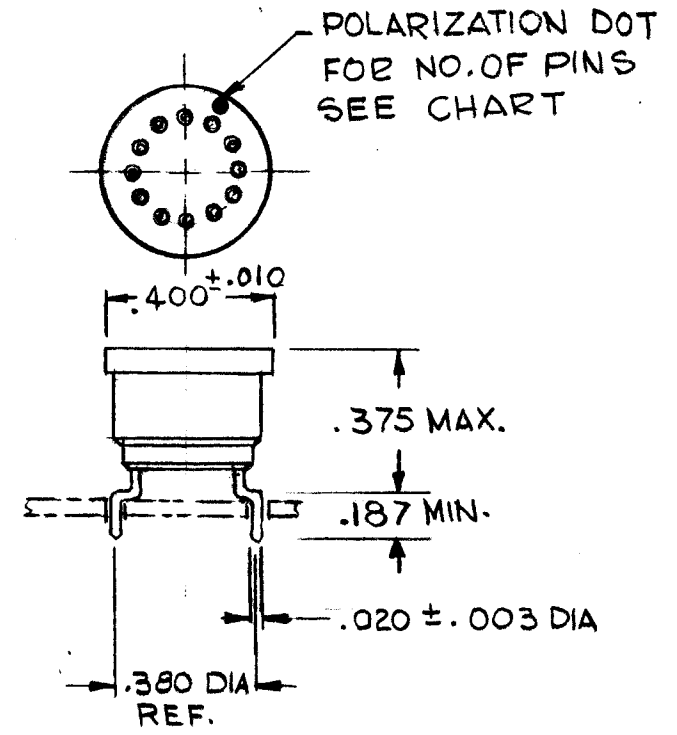


FIG. 2

CUT COMPONENT LEADS 3/16 ± 1/32

STANDARD DRAWING

QTY / UNIT	MODEL USED ON	ASS'Y NO.
APPLICATION		
CODE	S401-105	

**NOTICE TO PERSONS RECEIVING THIS DRAWING**  
 THE TECHNICAL MATERIEL CORPORATION claims proprietary right in the material disclosed hereon. This drawing is issued in confidence for engineering information only and may not be reproduced or used to manufacture anything shown hereon without permission from THE TECHNICAL MATERIEL CORPORATION to the user. This drawing is loaned for mutual assistance and is subject to recall at any time.

UNLESS OTHERWISE SPECIFIED DIMENSIONS ARE IN INCHES AND INCLUDE CHEMICALLY APPLIED OR PLATED FINISHES

DECIMALS .X ± .05 .XX ± .01 .XXX ± .005  
 FRACTIONS 1/64 ANGLES 0°-30'  
 TOLS.

MATERIAL

FINISH

REQ'D	ITEM	PART NUMBER	DESCRIPTION	SYM.
-------	------	-------------	-------------	------

LIST OF MATERIAL

THE TECHNICAL MATERIEL CORP.  
 MAMARONECK, NEW YORK

SOCKET, I.C

FINAL APPROVAL <i>[Signature]</i>	DATE 3/74
MECH. DES.	DATE
ELECT. DES.	DATE
CHECKED	DATE
DRAWN G.D. LUCIA	DATE 12-22-75

SIZE B	CODE IDENT. NO. 82679	DWG NO. TS 213	ISSUE A
SCALE NONE	SHEET		OF