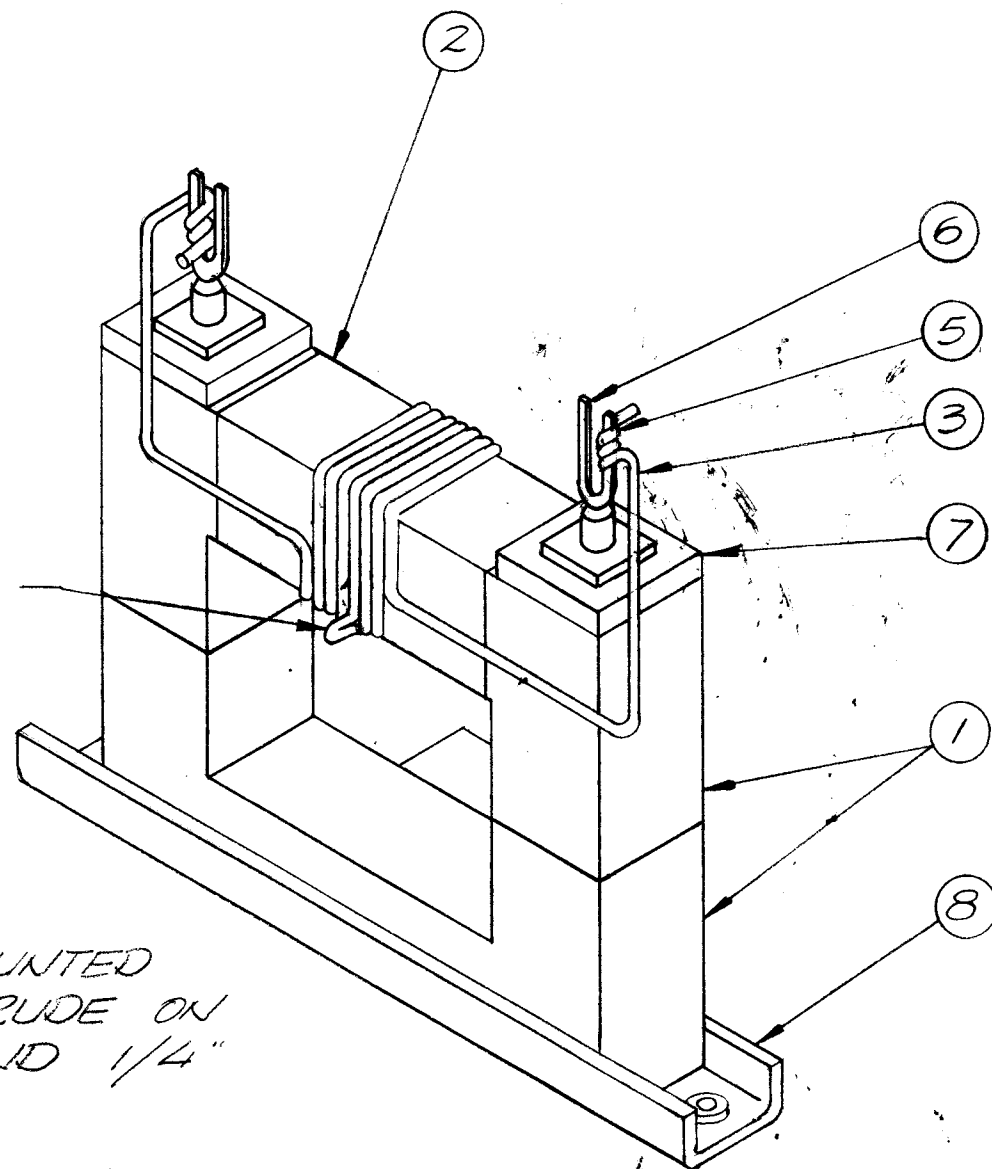


REVISIONS

| ZONE | LTR | DESCRIPTION | DATE | E.M.N.NO | DRAFT | CHKD | APPD |
|------|-----|-----------------------|----------|----------|-------|------|------|
| | X | EXP RELEASE | 3/9/70 | | GE | | |
| | Ø | ORIG RELEASE FOR PROD | 3/25/70 | | CV | | |
| | A | ITEM 7 ADD. | 6/16/70 | 19884 | LL | | |
| | B | CLG OF NOTE 4 | 1/26/70 | 19990 | GE | | |
| | C | ADDED IT. NO 8 | 11/13/70 | 20070 | GE | | |



TAP TO APPEAR AS SHOWN (NOTE 4)

IT. 1 & 8 TO BE MOUNTED SO TAP WILL PROTRUDE ON THIS SIDE & EXTEND 1/4" BEYOND WINDING.

1. USING ITEM 4 JOIN ITEM 1 & 8 TOGETHER AS SHOWN.
2. USING ITEM 6, FASTEN TO ITEM 1 WITH ITEM 4 AS SHOWN, ALLOW 24 HOURS TO CURE.
3. WRAP 2 TURNS ITEM 2 AROUND ITEM 1 AS SHOWN.
4. WIND 7 TURNS ITEM 3, TAPPED AT 3 TURNS, CLOCKWISE AS SHOWN.
5. FASTEN ITEM 3 TO ITEM 6 WITH ITEM 5 AS SHOWN.

$L = 19.5 \pm 10\%$

$Q = 220 \pm 10\%$

| REQ'D | ITEM | PART NUMBER | DESCRIPTION | SYM. |
|-------|------|-------------|-----------------------------|------|
| | 1 | 8 | MS5534 BRACKET, XFMR MTG. | |
| | 2 | 7 | PX1051-2 TERM. INSULATOR | |
| | 2 | 6 | PX1051-1 TERMINAL INSULATOR | |
| X | 5 | BS 100 | SOLDER TIN ALLOY | |
| X | 4 | NO TMC NO. | ADHESIVE (EASTMAN 910) | |
| X | 3 | WI 123-20 | WIRE ELECTRICAL MAG | |
| X | 2 | TA 108-5 | TAPE | |
| Z | 1 | CI 101-3Q1 | CORE U | |

LIST OF MATERIAL

| | | |
|-------------|---------------|-----------|
| QTY / UNIT | MODEL USED ON | ASS'Y NO. |
| | PALADIOK | A 4840 |
| APPLICATION | | |
| | CODE | |

NOTICE TO PERSONS RECEIVING THIS DRAWING
 THE TECHNICAL MATERIEL CORPORATION claims proprietary right in the material disclosed hereon. This drawing is issued in confidence for engineering information only and may not be reproduced or used to manufacture anything shown hereon without permission from THE TECHNICAL MATERIEL CORPORATION to the user. This drawing is loaned for mutual assistance and is subject to recall at any time.

UNLESS OTHERWISE SPECIFIED DIMENSIONS ARE IN INCHES AND INCLUDE CHEMICALLY APPLIED OR PLATED FINISHES

| | |
|-------------|--------------|
| DECIMALS | FRACTIONS |
| .X ± .05 | 1/64 |
| .XX ± .01 | TOLS. ANGLES |
| .XXX ± .005 | 0° .30' |

MATERIAL
 FINISH

| | |
|--------------------|---------|
| FINAL APPROVAL | DATE |
| <i>[Signature]</i> | 3/25/70 |
| MECH. DES. | DATE |
| <i>[Signature]</i> | 3/23/70 |
| ELECT. DES. | DATE |
| | |
| CHECKED | DATE |
| | |
| DRAWN | DATE |
| EVANGELIST | 3-17-70 |

THE TECHNICAL MATERIEL CORP.
 MAMARONECK, NEW YORK

TRANSFORMER, INTERSTAGE

| | | | |
|-------|-----------------|---------|-------|
| SIZE | CODE IDENT. NO. | DWG NO. | ISSUE |
| B | 82679 | TR 193 | C |
| SCALE | | SHEET | OF |
| | | | |