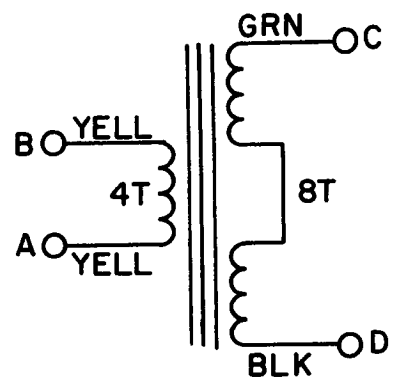
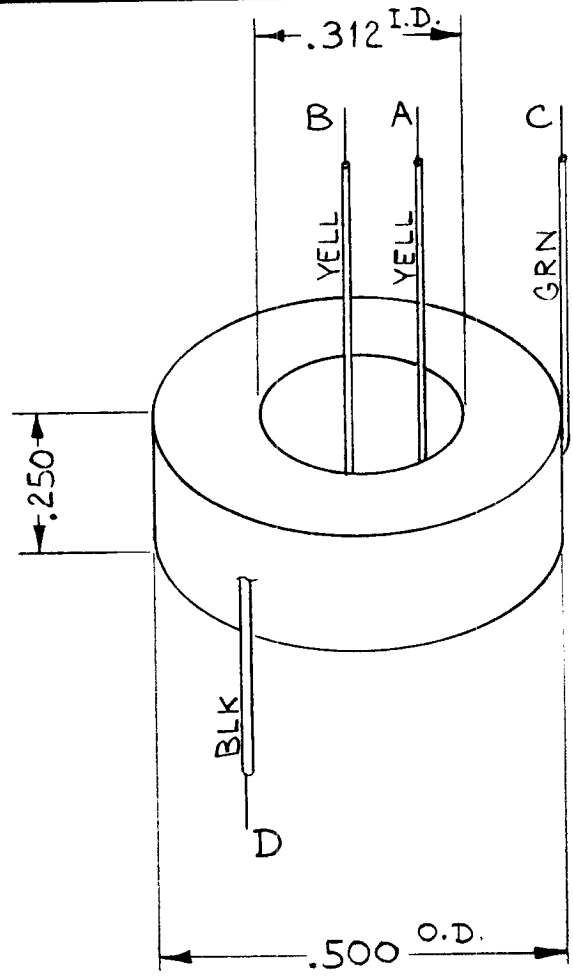


| REQ. PER UNIT | USED ON | | | TR-165 |
|---------------|---------|------------|---------|--------|
| | MODEL | ASS'Y. NO. | DATE | |
| 1 | CHG-2 | I.F. SECT. | 4-12-61 | |



ELECTRICAL SPECIFICATIONS

WINDING A-B 4 TOTAL TURNS.
 WINDING C-D 8 TOTAL TURNS.
 CORE - TOROIDAL (FERROX CUBE).
 IMPEDANCE A-B = 70 Ω @ 50 MHz
 C-D = 300 Ω @ 50 MHz
 FREQUENCY 2-30 MHz

| REQ. ITEM | PART NO. | DESCRIPTION | SYMBOL | | | | | | | | | | | |
|---|-------------------------------|---|---------|-----------------|---------|-----------------|----------|---------------|-------------------|-------|----------|----------------|--|--|
| | | THE TECHNICAL MATERIEL CORP. MAMARONECK, NEW YORK | | | | | | | | | | | | |
| | | STOCK SIZE | | | | | | | | | | | | |
| A | IMPEDANCE C-D = 300Ω WAS 500Ω | TRANSFORMER, RF FIXED | | | | | | | | | | | | |
| | 1-20-61 | 5935 | EG | | | | | | | | | | | |
| ISSUE ITEM | CHANGED FROM | DATE | CH. NO. | DRAFTS | CHECKER | ENG. APP. | MATERIAL | TYPE & TEMPER | HEAT TREAT. SPEC. | DRAWN | CHECKED | FINAL APPROVAL | | |
| TOLERANCES | | SCALE: DO NOT SCALE (2A-2093) | | | | | | | | | W. G. F. | J. H. E. | | |
| DEC. DIM. ± FRAC. DIM. ± ANGULAR DIM. ± | | MAXIMUM ALLOWABLE TOLERANCES HAVE BEEN DETERMINED AND ANY DEVIATIONS WILL BE CAUSE FOR REJECTION. REMOVE ALL BURRS AND SHARP EDGES | | | | | | | | | RB | | | |
| | | FINISH & SPEC. NO. | | ELEC. DES. APP. | | MECH. DES. APP. | | | | | | | | |