

IF IT IS FOUND DESIRABLE TO CHANGE ANY TOLERANCE OR OTHER DETAIL SPECIFIED ON THIS DRAWING NOTIFY THE PURCHASER PROMPTLY.

DIMENSIONS IN INCHES UNLESS OTHERWISE SPECIFIED

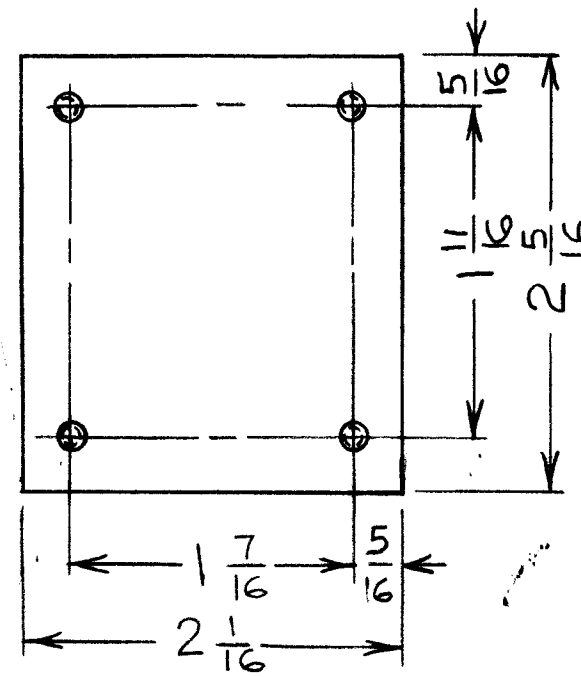
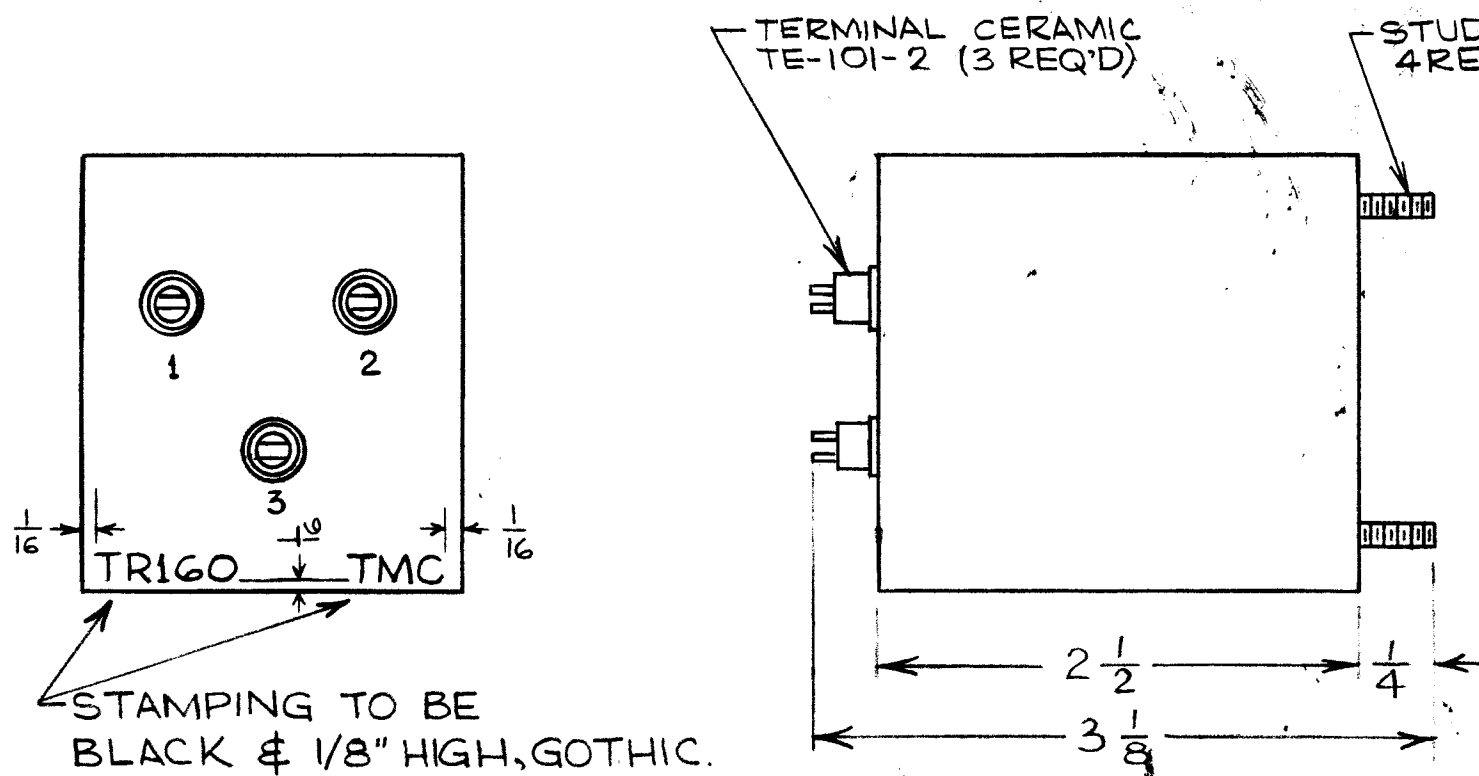
MAXIMUM ALLOWABLE TOLERANCES HAVE BEEN DETERMINED AND DEVIATIONS WILL BE CAUSE FOR REJECTION. REMOVE ALL BURRS AND SHARP EDGES.

ISSUE	ITEM	CHANGED FROM	DATE	CN. NO.	DRAFTS	CHECKER	ENG. APP.
-------	------	--------------	------	---------	--------	---------	-----------

REQ.	ITEM	PART NO.	DESCRIPTION	SYMBOL
------	------	----------	-------------	--------

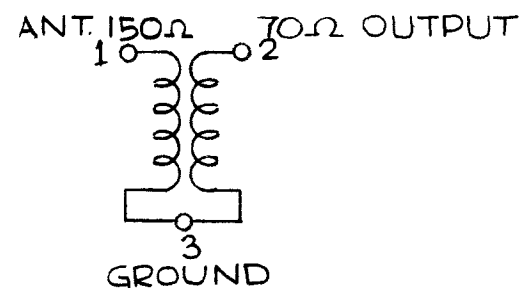
TR160

MECHANICAL SPECIFICATIONS:
CASE - STEEL
FINISH - TMC GREY (S-115)
ELECTRICAL SPECIFICATIONS:
INPUT: TERM. 1 & 3, 150Ω UNBALANCED.
OUTPUT: TERM. 2 & 3, 70Ω UNBALANCED.
FREQ. RANGE: 2-16 Mc/s.



STAMPING TO BE BLACK & 1/8" HIGH, GOTHIC.

SCHEMATIC



STOCK SIZE		TMC (Canada) LIMITED OTTAWA ONTARIO	
MATERIAL			
WEIGHT PER PC.		R.F.	
TYPE & TEMPER		J.P.C. DRAWN	MECH. DES. APP.
HEAT TREAT. SPEC.		CHECKED	FINAL APPROVAL
FINISH & SPEC. NO.		TR160	

TOLERANCES		SCALE: 2A-10339
ALL OTHERS	DEC. DIM. ± _____ FRAC. DIM. ± _____ ANGULAR DIM. ± _____	DRILL, PUNCH, COMMERCIAL STOCK SIZES AND MANUFACTURERS TOLERANCES ARE NOT INCLUDED.

MODEL	PROJECT NO.	ASS'Y. NO.	DATE
			DEC. 6. 62

USED ON