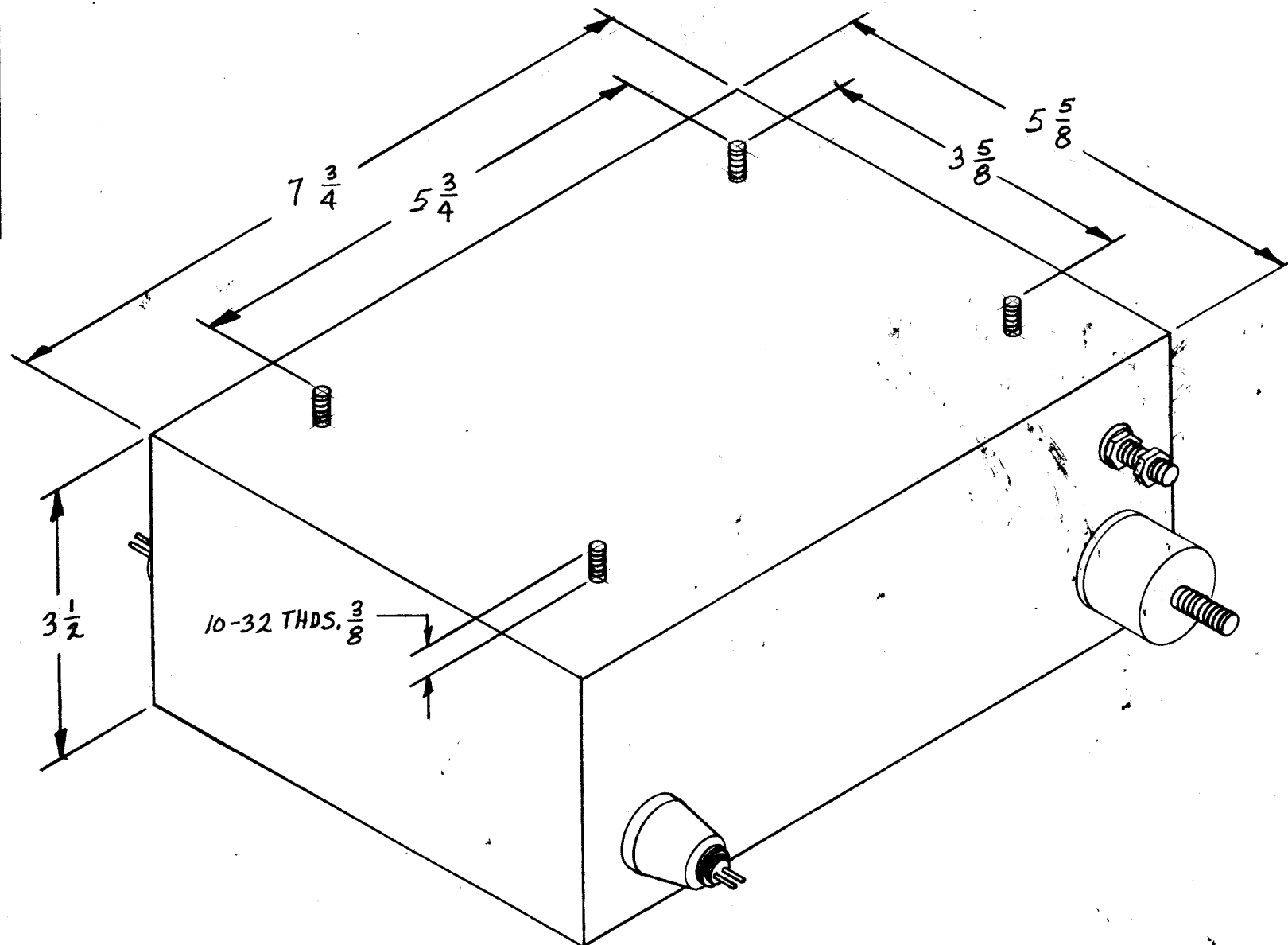


TR-149 A

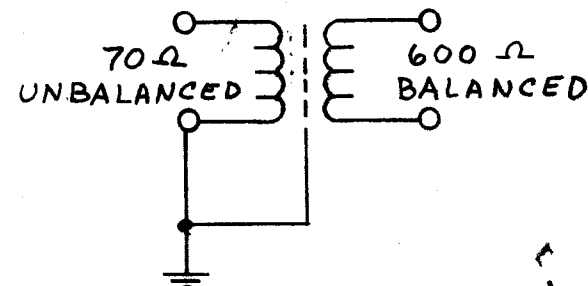


ELECTRICAL SPECIFICATIONS

1. INPUT IMPEDANCE = 70 OHMS UNBALANCED.
2. OUTPUT IMPEDANCE = 600 OHMS UNBALANCED.
3. OPERATING FREQ. RANGE = 2-30 MCS.
4. FREQ. RESPONSE OVER FREQ. RANGE = ± 1 db.
5. AVERAGE POWER RATING = 1800 WATTS.

MECHANICAL SPECIFICATIONS

1. CASE - RECTANGULAR STEEL, HERMETICALLY SEALED.
2. FINISH - S115 - TMC SMOOTH GRAY ENAMEL.



ISSUE	ITEM	CHANGED FROM	DATE	CH. NO.	DRAFTS	CHECKER	ENG. APP.
A	1	SPECIFICATIONS REVISED	7-1-63	9415			
TOLERANCES			SCALE: 8A-1551				
DEC. DIM. \pm FRAC. DIM. \pm ANGULAR DIM. \pm			MAXIMUM ALLOWABLE TOLERANCES HAVE BEEN DETERMINED AND ANY DEVIATIONS WILL BE CAUSE FOR REJECTION: REMOVE ALL BURRS AND SHARP EDGES				

REQ. PER UNIT	MODEL	PROJECT NO.	ASSY. NO.	DATE

REQ. ITEM	PART NO.	DESCRIPTION	SYMBOL
		THE TECHNICAL MATERIEL CORP. MAMARONECK, NEW YORK 82679	
STOCK SIZE		TRANSFORMER ANTENNA COUPLER	
MATERIAL			
		MJT 8-20-59	
TYPE & TEMPER	HEATTREAT. SPEC.	DRAWN	CHECKED
FINISH & SPEC. NO.		ELEC. DES. APP	MECH. DES. APP
		TR-149	A