

IF IT IS FOUND DESIRABLE TO CHANGE ANY TOLERANCE OR OTHER DETAIL SPECIFIED ON THIS DRAWING NOTIFY THE PURCHASER PROMPTLY.

MAXIMUM ALLOWABLE TOLERANCES HAVE BEEN DETERMINED AND DEVIATIONS WILL BE CAUSE FOR REJECTION. REMOVE ALL BURRS AND SHARP EDGES

TR-126 A

NOTICE TO PERSONS RECEIVING THIS DRAWING

THE TECHNICAL MATERIEL CORPORATION claims proprietary right in the material disclosed hereon. This drawing is issued in confidence for engineering information only and may not be reproduced or used to manufacture anything shown hereon without permission from THE TECHNICAL MATERIEL CORPORATION to the user. This drawing is loaned for mutual assistance and is subject to recall at any time.

Property of:

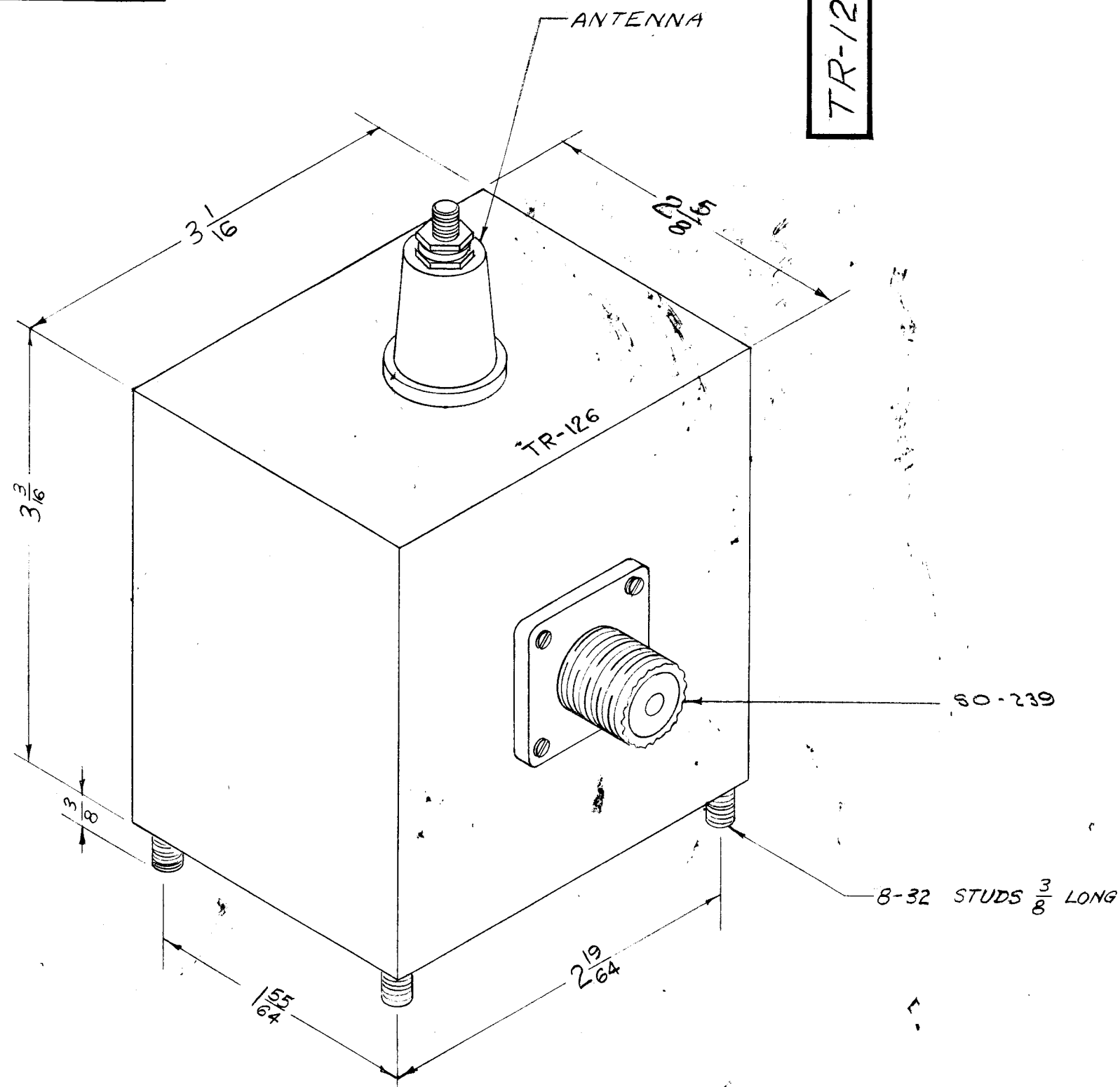
THE TECHNICAL MATERIEL CORPORATION  
MAMARONECK, NEW YORK

MECHANICAL SPECIFICATIONS

CASE TYPE - "C"  
CASE MATERIAL - STEEL  
COLOR - GRAY  
FILLER - COMPOUND

ELECTRICAL SPECIFICATIONS

35 FOOT VERTICAL TO 70 Ω, 2-30 MCS.



A	1	DIM. CHGD FROM 2-9/16 x 3 to 2-5/8 x 3-1/16 AS PER BX-100-12	1/9/58	1	16	AMC	AMC
ISSUE	ITEM	CHANGED FROM	DATE	CN. NO.	DRAFTS	CHECKER	ENG. APP.
TOLERANCES		SCALE:					
ALL OTHERS	DEC. DIM. ± FRAC. DIM. ± ANGULAR DIM. ±	DRILL, PUNCH, COMMERCIAL STOCK SIZES AND MANUFACTURERS TOLERANCES ARE NOT INCLUDED.					

REQ. PER UNIT	MODEL	PROJECT NO.	ASS'Y. NO.	DATE
USED ON				

REQ.	ITEM	PART NO.	DESCRIPTION	SYMBOL
			THE TECHNICAL MATERIEL CORP. MAMARONECK, NEW YORK	
STOCK SIZE			TRANSFORMER, R.F.	
MATERIAL			WEIGHT PER PC.	
			35 FOOT VERTICAL TO 70 Ω, 2-30 MCS.	
TYPE & TEMPER			DATE	
			9-21-55	
HEAT TREAT. SPEC.			DRAWN	ELEC. DES. APP.
			AMC	MECH. DES. APP.
			CHECKED	FINAL APPROVAL
			2A	
FINISH & SPEC. NO.			TR-126	A