

IF IT IS FOUND DESIRABLE TO CHANGE ANY TOLERANCE OR OTHER DETAIL SPECIFIED ON THIS DRAWING NOTIFY THE PURCHASER PROMPTLY.

TR-112

A

MAXIMUM ALLOWABLE TOLERANCES HAVE BEEN DETERMINED AND DEVIATIONS WILL BE CAUSE FOR REJECTION.
REMOVE ALL BURRS AND SHARP EDGES

REQ. PER UNIT

USED ON

MODEL

PROJECT NO.

ASS'Y. NO.

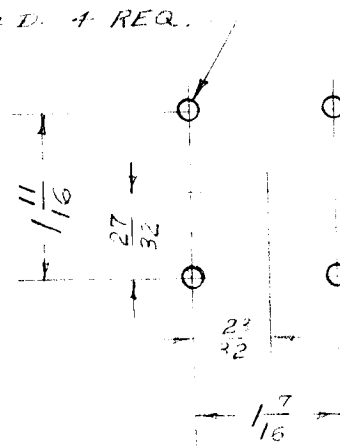
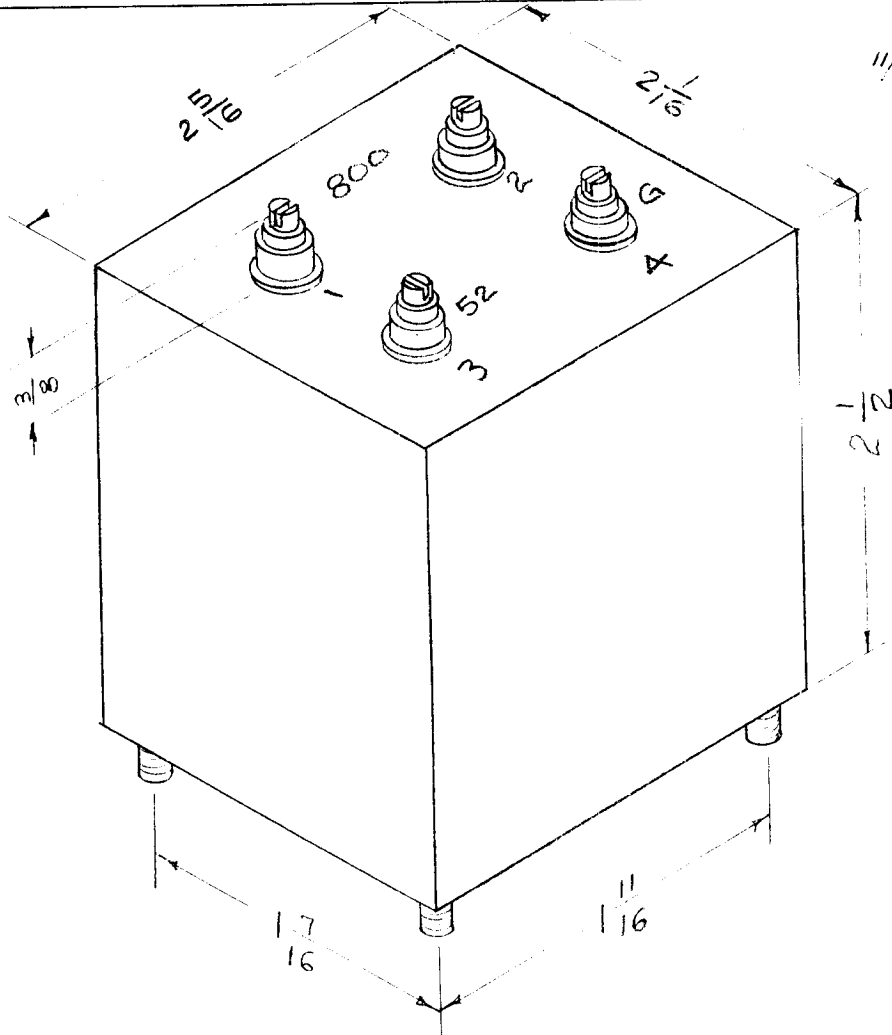
DATE

1

RAC-12

A-990

4-8-55



DRILLING PLAN

MECHANICAL SPECIFICATIONS

- 1- CASE STEEL
- 2- COLOR GRAY
- 3- STUDS 6-32 x 1/4

ELECTRICAL SPECIFICATIONS

- 800 Ohm. BALANCED TO
- 52 Ohm. UNBALANCED
- 2-30 mcs

REQ.	ITEM	PART NO.	DESCRIPTION	SYMBOL
			THE TECHNICAL MATERIEL CORP.	
			MAMARONECK. NEW YORK	
			TRANSFORMER SPECIFICATIONS	
			MODEL TR-112	
			DRAWN: <i>FA De</i> ELEC. DES. APP. <i>AP 15</i> MECH. DES. APP. <i>WJ</i>	
			CHECKED: <i>FA De</i> FINAL APPROVAL	
			2A-988 TR-112 A	

A	1	DIM. CHGD FROM 2.012 x 2.240 x 2-1/8 +D 2-1/16 x 2-5/16 x 2-1/2 AS PER BX-137	1/9/58	1	16	<i>FA De</i>	<i>WJ</i>
ISSUE	ITEM	CHANGED FROM	DATE	CN. NO.	DRAFTS	CHECKER	ENG. APP.

TOLERANCES		SCALE
ALL OTHERS	DEC. DIM. ± FRAC. DIM. ± ANGULAR DIM. ±	DRILL, PUNCH, COMMERCIAL STOCK SIZES AND MANUFACTURERS TOLERANCES ARE NOT INCLUDED.