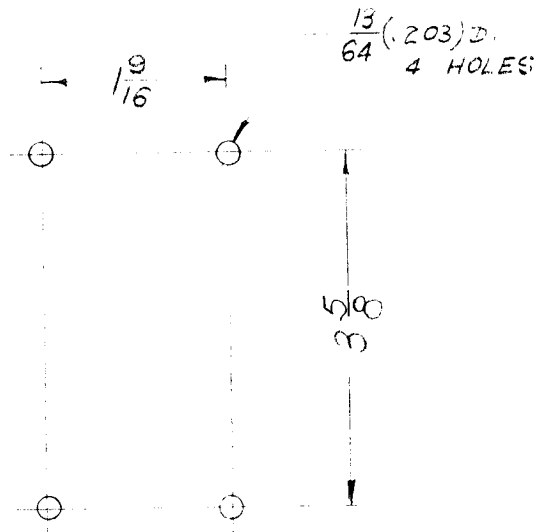
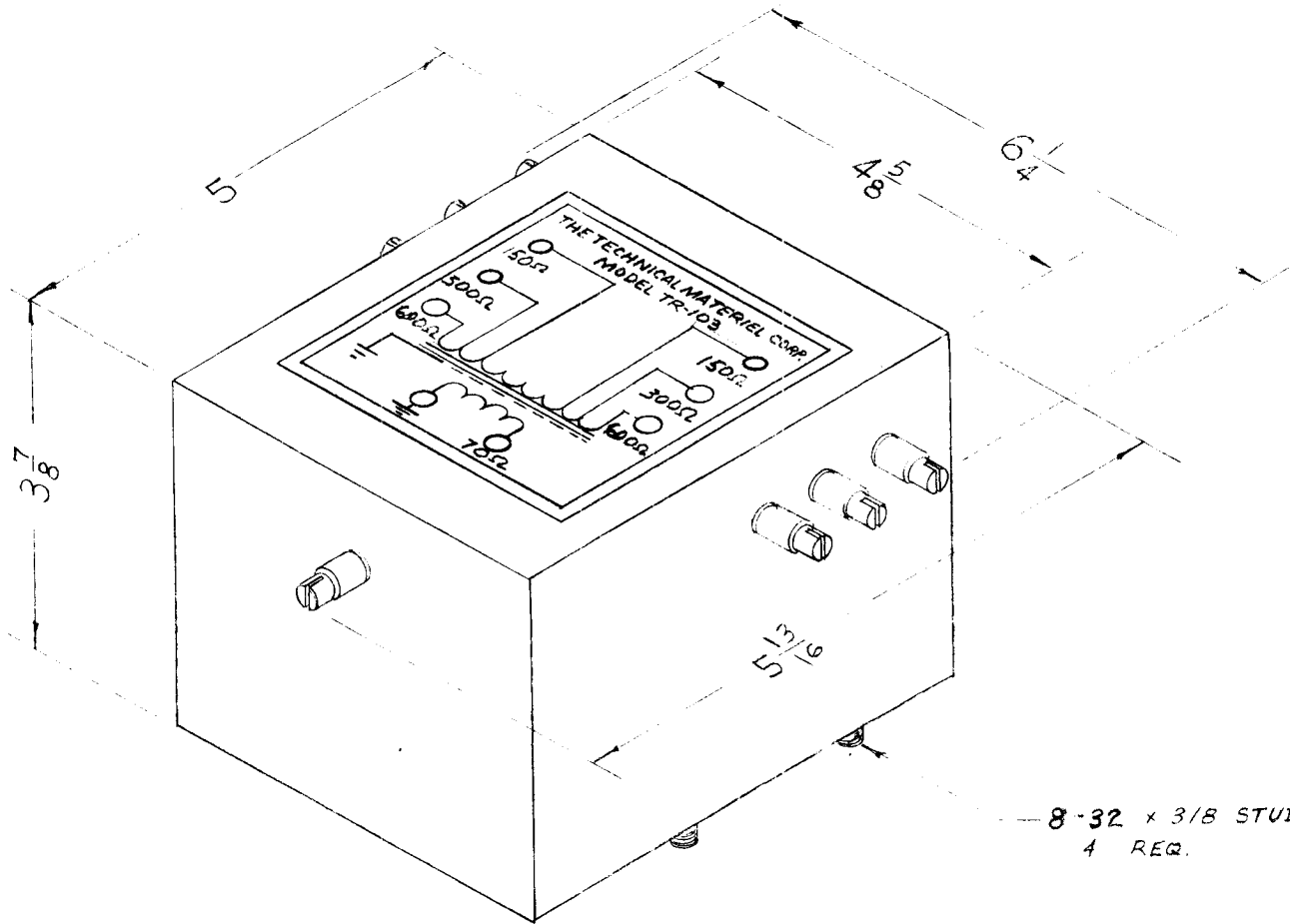


REQ. PER UNIT	USED ON			TR-103	B
	MODEL	ASS'Y. NO.	DATE		
1	TRC-500-704/600B	437	2/20/56		



MOUNTING DETAIL

8-32 x 3/8 STUD.
4 REQ.

DIM. FOR REF. ONLY.

								REQ. ITEM	PART NO.	DESCRIPTION	SYMBOL	
										THE TECHNICAL MATERIEL CORP. MAMARONECK, NEW YORK		
B	1	PICT, TITLE & MOD. NO. UPDATED	9-4-63	9193	<i>K. J. W.</i>	<i>W.P.</i>	STOCK SIZE		COUPLER, TRANSMISSION, LINE			
A	1	TERMINALS RE-NUMBERED	2/20/56	1	<i>J.A.L.</i>	<i>W.P.</i>	MATERIAL					
ISSUE ITEM		CHANGED FROM	DATE	CH. NO.	DRAFTS	CHECKER	ENG. APP.					
TOLERANCES			SCALE: 4A-121B							<i>12-22-55</i>	<i>J.W.</i>	<i>W.P.</i>
DEC. DIM. ± FRAC. DIM. ± ANGULAR DIM. ±			MAXIMUM ALLOWABLE TOLERANCES HAVE BEEN DETERMINED AND ANY DEVIATIONS WILL BE CAUSE FOR REJECTION. REMOVE ALL BURRS AND SHARP EDGES					TYPE & TEMPER	HEAT TREAT. SPEC.	DRAWN	CHECKED	FINAL APPROVAL
								FINISH & SPEC. NO.		ELEC. DES. APP.	MECH. DES. APP.	TR-103
												B