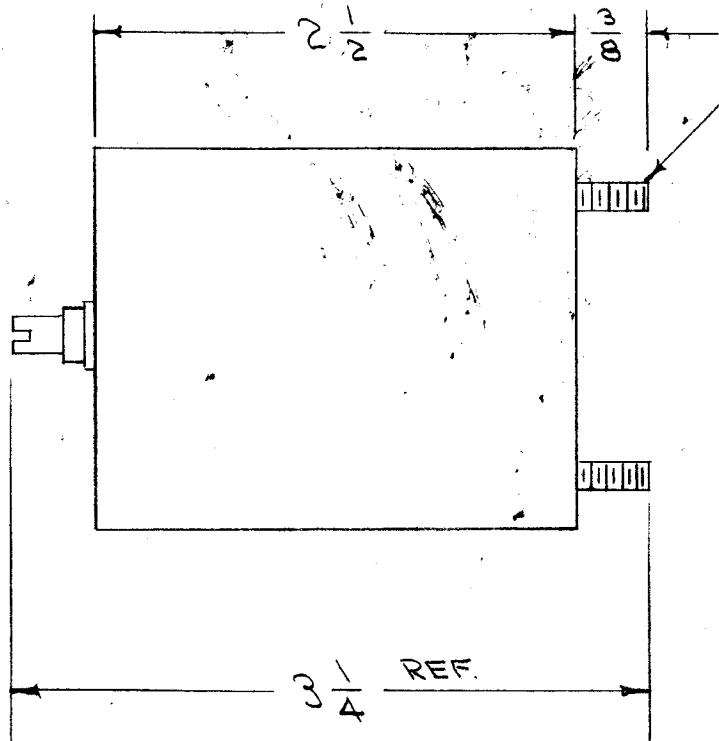
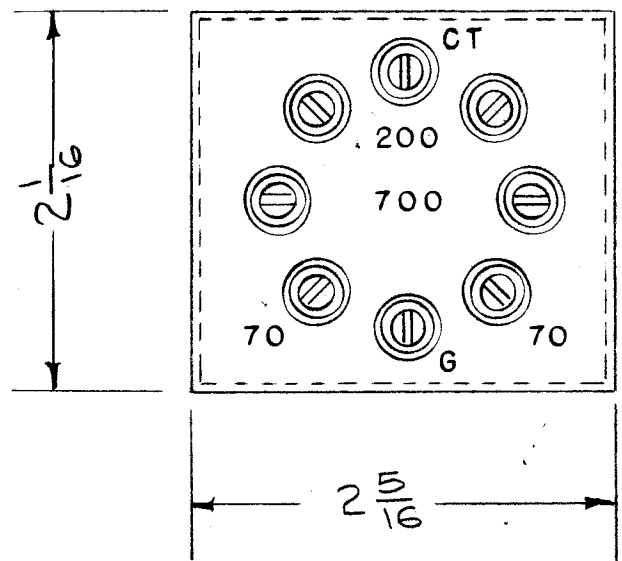


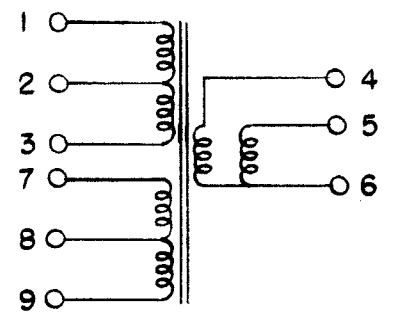
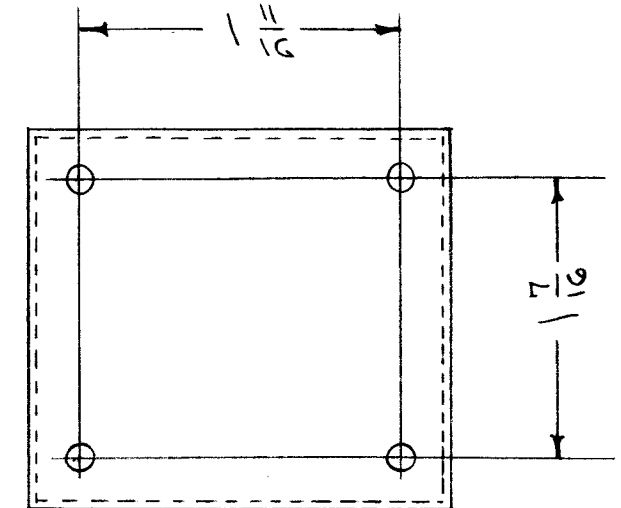
IF IT IS FOUND DESIRABLE TO CHANGE ANY TOLERANCE OR OTHER DETAIL SPECIFIED ON THIS DRAWING NOTIFY THE PURCHASER PROMPTLY.

MAXIMUM ALLOWABLE TOLERANCES HAVE BEEN DETERMINED AND DEVIATIONS WILL BE CAUSE FOR REJECTION. REMOVE ALL BURRS AND SHARP EDGES

TR-102 A



STUDS G-32



ELECTRICAL SPECIFICATIONS
 1-9 700 Ω BAL.
 2-8 200 Ω BAL.
 3-7 C.T.
 4-6 70 Ω UNBAL.
 5-6 70 Ω UNBAL.

MECHANICAL SPECIFICATIONS
 CASE - STEEL
 STUDS - G-32 X 3/8
 COLOR - GRAY
 FILLER - PLASTIC COMPOUND

THE TECHNICAL MATERIEL CORPORATION
 MAMARONECK, NEW YORK
 PROPERTY OF THE TECHNICAL MATERIEL CORPORATION
 THIS DRAWING IS LOANED FOR MUTUAL ASSISTANCE AND IS SUBJECT TO RECALL AT ANY TIME.

THE TECHNICAL MATERIEL CORPORATION
 MAMARONECK, NEW YORK

A	1	DIM. CHGD FROM 2 X 2.237 TO 2-1/16 X 2-5/16 AS PER BX-124	1/9/58	1	16	J.H.L.	J.H.L.
ISSUE	ITEM	CHANGED FROM	DATE	CN. NO.	DRAFTS	CHECKER	ENG. APP.
TOLERANCES			SCALE:				
ALL OTHERS	DEC. DIM. \pm FRAC. DIM. \pm ANGULAR DIM. \pm	DRILL, PUNCH, COMMERCIAL STOCK SIZES AND MANUFACTURERS TOLERANCES ARE NOT INCLUDED.					

REQ. PER UNIT	MODEL	PROJECT NO.	ASS'Y. NO.	DATE

REQ. ITEM	PART NO.	DESCRIPTION	SYMBOL
		THE TECHNICAL MATERIEL CORP., MAMARONECK, NEW YORK	
STOCK SIZE		TRANSFORMER, ANTENNA COUPLING.	
MATERIAL WEIGHT PER PC.			
TYPE & TEMPER		C.D.D. 11/16/54	M.H.S.
HEAT TREAT. SPEC.		J.H.L. 11/16/54	
FINISH & SPEC. NO.		4A-885	TR-102 A