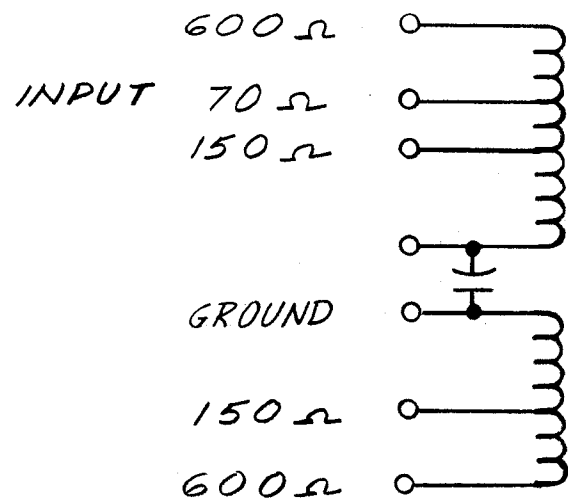
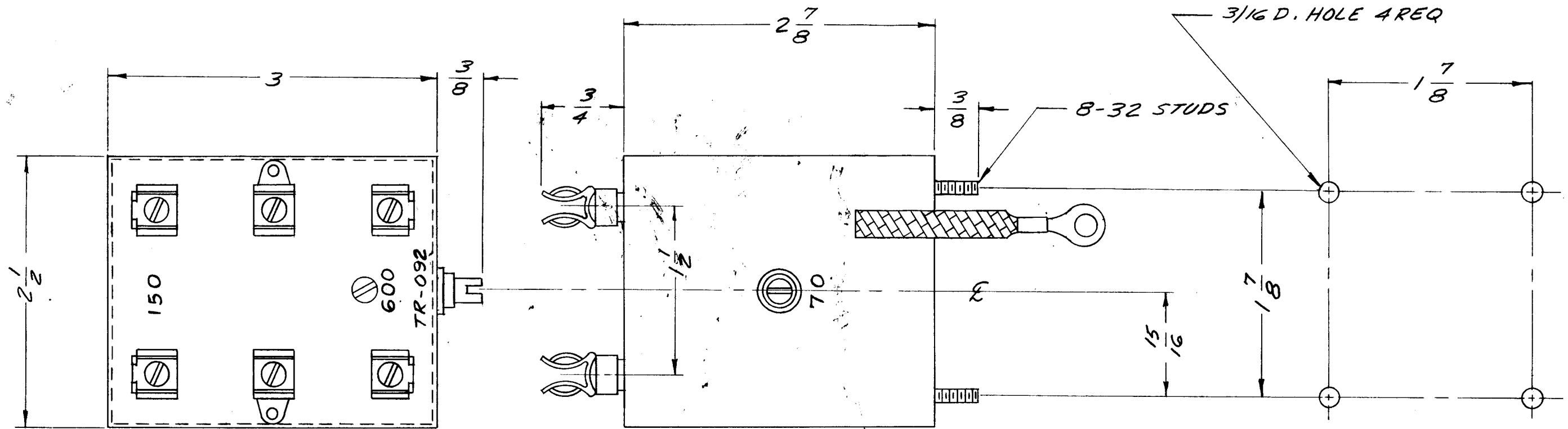


TR-092

MOUNTING TEMPLATE



ELECTRICAL SPECIFICATION

1. PRIMARY 70  $\Omega$  UNBALANCED
2. SECONDARY 600  $\Omega$  BALANCED  
150  $\Omega$  BALANCED
3. RELATIVE RESPONSE  $\pm 1.5db$ , 2 TO 32 MC

MECHANICAL SPECIFICATION

1. CASE STEEL
2. FINISH T.M.C. GREY (S-115)
3. MOUNTING 4- 8-32x3/8 STUDS
4. TERMINALS 6- FUSE CLIPS  
1- BUSHING SLOTTED
5. FILLER COMPOUND

SYM	DESCRIPTION	DATE	CH. NO.	DRAFTS	CHECKER	ENG. APP.
	UNLESS OTHERWISE SPECIFIED:					
	DIMENSIONS ARE IN INCHES					
	TOLERANCES ON FRACTIONS $\pm 1/64$ DECIMALS $\pm .005$ ANGLES $\pm 1/2^\circ$					
	SCALE: 4A-2204					
	MAXIMUM ALLOWABLE TOLERANCES HAVE BEEN DETERMINED AND ANY DEVIATIONS WILL BE CAUSE FOR REJECTION. REMOVE ALL BURRS AND SHARP EDGES					

REQ. PER UNIT	MODEL	SECTION	ASS'Y. NO.	DATE
	RAC-37			10-3-61
	USED ON			

REQ. ITEM	PART NO.	DESCRIPTION	SYMBOL
		THE TECHNICAL MATERIEL CORP. MAMARONECK, NEW YORK	
		STOCK SIZE	
		TRANSFORMER, RF	
		MATERIAL	
		10-5-61 W.S.	
		CHECKER	C.G. STM
		FINAL APPROVAL	
			TR-092
		FINISH & SPEC. NO.	
		ELEC. DES. APP.	
		MECH. DES. APP.	