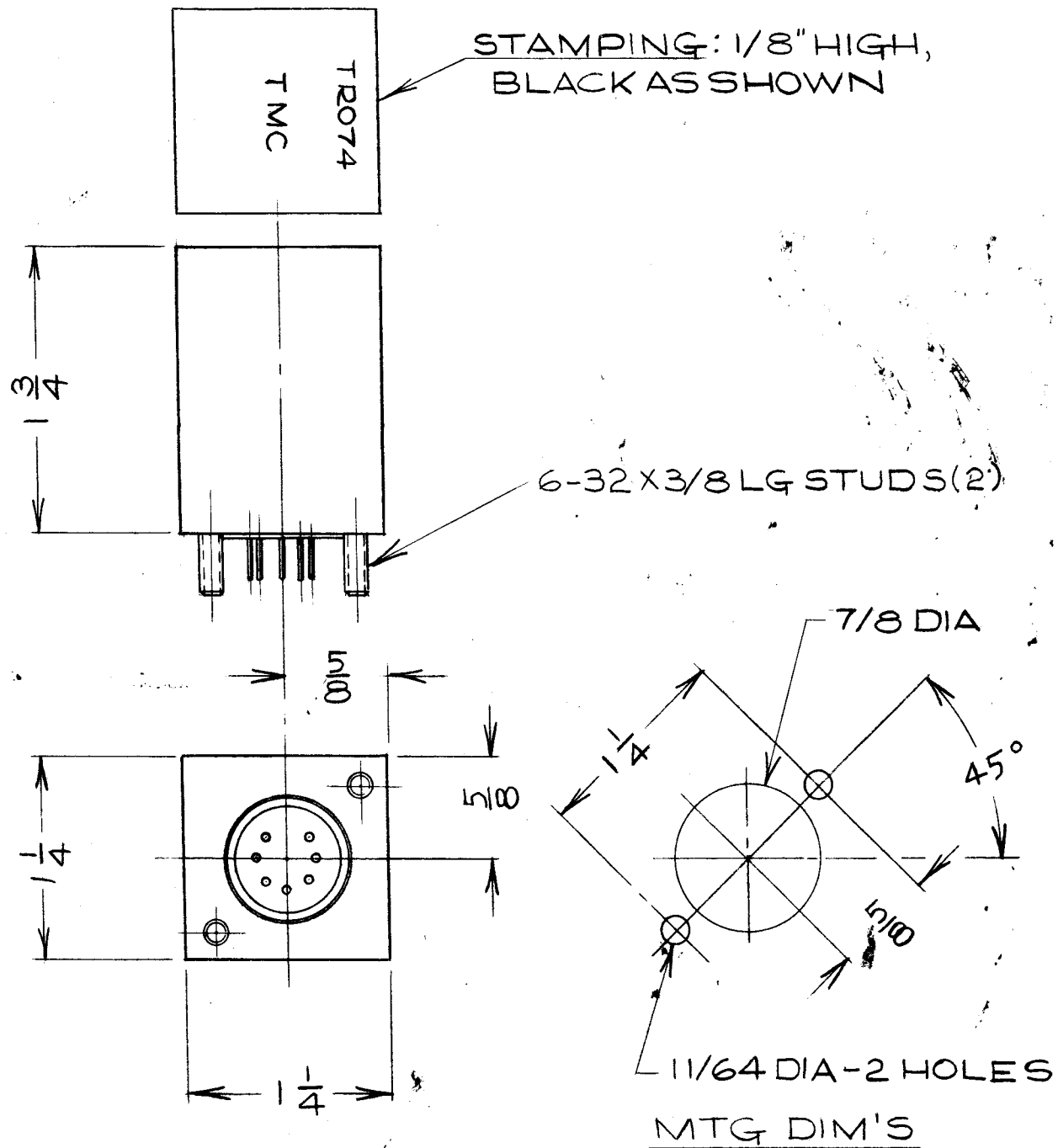


IF IT IS FOUND DESIRABLE TO CHANGE ANY TOLERANCE OR OTHER DETAIL SPECIFIED ON THIS DRAWING NOTIFY THE PURCHASER PROMPTLY.

MAXIMUM ALLOWABLE TOLERANCES HAVE BEEN DETERMINED AND DEVIATIONS WILL BE CAUSE FOR REJECTION. REMOVE ALL BURRS AND SHARP EDGES

TRO74

STANDARD DRAWING



TRO74

ELECTRICAL SPECIFICATIONS

FREQ. RANGE: 2-30 Mc/s.

PRIMARY: TERMINAL(S) 3&5: 330Ω UNBALANCED

———— " ——— 4: B+

SECONDARY: ——— " ——— 1: GND

———— " ——— 7: 70Ω UNBALANCED

MECHANICAL SPECIFICATIONS

LENGTH: 1-1/4"

WIDTH: 1-1/4"

HEIGHT: 1-3/4"

TERMINALS: STD. 7 PIN PLUG-IN TYPE

MOUNTING: (2) 6-32 X 3/8" STUDS

FINISH: TMC GREY (S-115)

REQ.	ITEM	PART NO.	DESCRIPTION	SYMBOL
			TMC (Canada) LIMITED OTTAWA ONTARIO	
			XFMR - OUTPUT	
			BROADBAND - RF	
			DCM	
			DRAWN	ELEC. DES. APP. MECH. DES. APP.
			CHECKED	FINAL APPROVAL
			TRO74	

ISSUE	ITEM	CHANGED FROM	DATE	CN. NO.	DRAFTS	CHECKER	ENG. APP.
TOLERANCES							
SCALE: 1:1							
DRILL, PUNCH, COMMERCIAL STOCK SIZES AND MANUFACTURERS TOLERANCES ARE NOT INCLUDED.							
DEC. DIM. ±							
FRAC. DIM. ± 1/64							
ANGULAR DIM. ±							

AMC6-5	CE646	A-10168	A-10176	JAN 19/60
MODEL	PROJECT NO.	ASS'Y. NO.	DATE	
USED ON				