

IF IT IS FOUND DESIRABLE TO CHANGE ANY TOLERANCE OR OTHER DETAIL SPECIFIED ON THIS DRAWING NOTIFY THE PURCHASER PROMPTLY.

TR-062 A

MAXIMUM ALLOWABLE TOLERANCES HAVE BEEN DETERMINED AND DEVIATIONS WILL BE CAUSE FOR REJECTION. REMOVE ALL BURRS AND SHARP EDGES

USED ON

MODEL

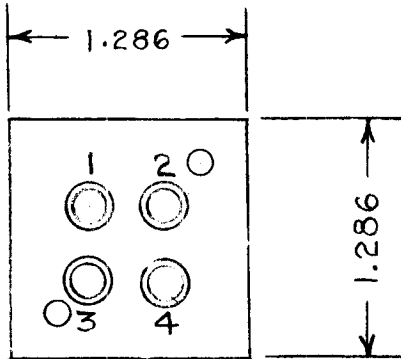
PROJECT NO.

ASS'Y. NO.

DATE

AMC 6-2  
AMC 6-3

10-5-55

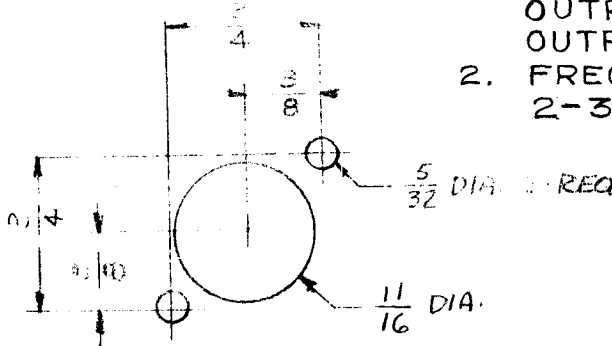
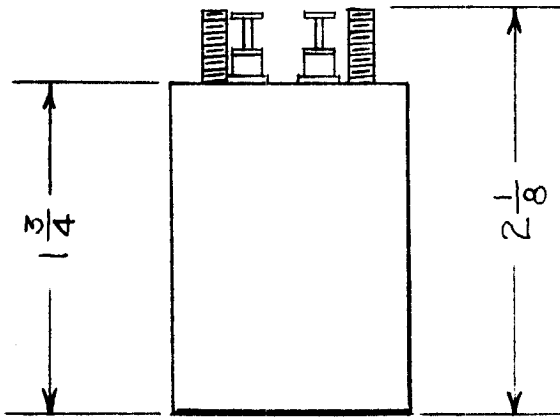


MECHANICAL SPECIFICATIONS

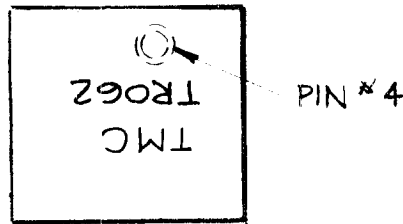
1. CASE - STEEL
2. TERMINALS - CERAMIC
3. FILLER - COMPOUND
4. FINISH - GREY
5. STUDS - 6-32 x  $\frac{3}{8}$

ELECTRICAL SPECIFICATIONS

1. INPUT 3-4 400  $\Omega$  UNBALANCED  
OUTPUT #1 2-4 400  $\Omega$  UNBALANCED  
OUTPUT #2 1-4 100  $\Omega$  UNBALANCED
2. FREQUENCY RESPONSE  
2-30 MC.  $\pm 2$  DB.



MOUNTING DIM.



REQ.	ITEM	PART NO.	DESCRIPTION	SYMBOL
			<b>TMC (Canada) LIMITED</b> OTTAWA ONTARIO	
		STOCK SIZE	R.F. TRANSFORMER	
		MATERIAL	NEUTRALIZING	
		WEIGHT PER PC.	J.W.T.	
		TYPE & TEMPER	DRAWN	ELEC. DES. APP. MECH. DES. APP.
		HEAT TREAT. SPEC.	CHECKED	FINAL APPROVAL
		FINISH & SPEC. NO.	A-10043	TR-062

A	1	PART NO. REVERSED, PIN 4 ADDED, DRILLING PLAN CLARIFIED	12-4-62	7672				
ISSUE	ITEM	CHANGED FROM	DATE	CN. NO.	DRAFTS	CHECKER	ENG. APP.	

TOLERANCES		SCALE FULL SIZE
ALL OTHERS	DEC. DIM. $\pm$ FRAC. DIM. $\pm$ ANGULAR DIM. $\pm$	DRILL, PUNCH, COMMERCIAL STOCK SIZES AND MANUFACTURERS TOLERANCES ARE NOT INCLUDED.