

IF IT IS FOUND DESIRABLE TO CHANGE ANY TOLERANCE OR OTHER DETAIL SPECIFIED ON THIS DRAWING NOTIFY THE PURCHASER PROMPTLY.

TR-055-A

MAXIMUM ALLOWABLE TOLERANCES HAVE BEEN DETERMINED AND DEVIATIONS WILL BE CAUSE FOR REJECTION. REMOVE ALL BURRS AND SHARP EDGES

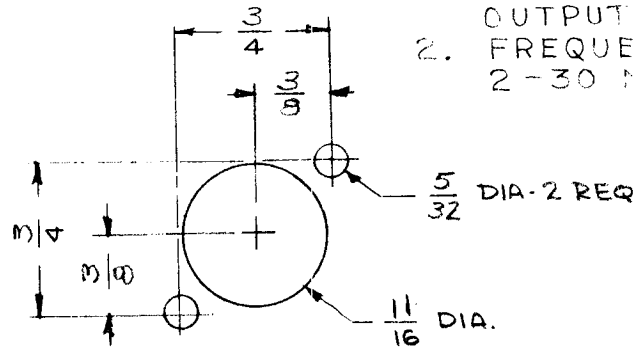
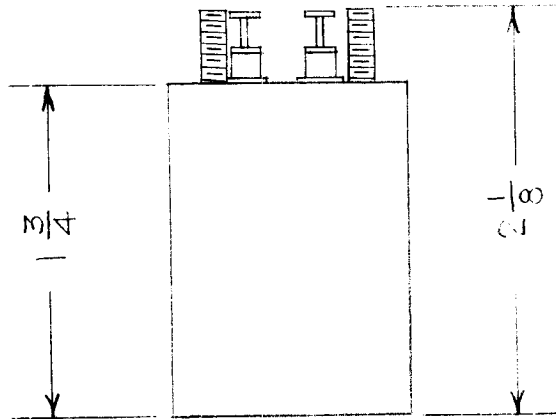
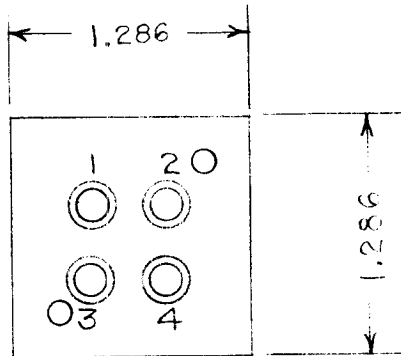
USED ON

MODEL

PROJECT NO.

ASS'Y. NO.

DATE



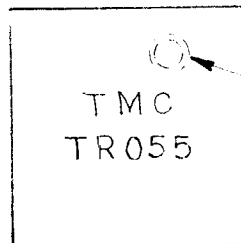
MECHANICAL SPECIFICATIONS

1. CASE - STEEL
2. TERMINALS - CERAMIC
3. FILLER - COMPOUND
4. FINISH - GREY
5. STUDS - 6-32 x 3/8

ELECTRICAL SPECIFICATIONS

1. INPUT OUTPUT
2. FREQUENCY RESPONSE 2-30 MC. ± DB.

MOUNTING DIM



REQ.	ITEM	PART NO.	DESCRIPTION	SYMBOL
			<b>TMC (Canada) LIMITED</b>	
			OTTAWA ONTARIO	
STOCK SIZE			R.F. TRANSFORMER	
MATERIAL			SPECIAL	
WEIGHT PER PC.				
TYPE & TEMPER			J.W.T.	
			DRAWN	ELEC. DES. APP. MECH. DES. APP.
HEAT TREAT. SPEC.			CHECKED	FINAL APPROVAL
FINISH & SPEC. NO.			A-10035	TR-055 A

ISSUE	ITEM	CHANGED FROM	DATE	CN. NO.	DRAFTS	CHECKER	ENG. APP.
1		DRILLING TOLERANCES	12-4-52				

TOLERANCES		SCALE FULL SIZE	
ALL OTHERS	DEC. DIM. ± FRAC. DIM. ± ANGULAR DIM. ±	DRILL, PUNCH, COMMERCIAL STOCK SIZES AND MANUFACTURERS TOLERANCES ARE NOT INCLUDED.	