

IF IT IS FOUND DESIRABLE TO CHANGE ANY TOLERANCE OR OTHER DETAIL SPECIFIED ON THIS DRAWING NOTIFY THE PURCHASER PROMPTLY.

TR-053-A

MAXIMUM ALLOWABLE TOLERANCES HAVE BEEN DETERMINED AND DEVIATIONS WILL BE CAUSE FOR REJECTION. REMOVE ALL BURRS AND SHARP EDGES

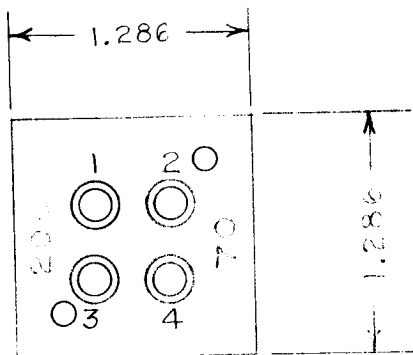
USED ON

MODEL

PROJECT NO.

ASS'Y. NO.

DATE



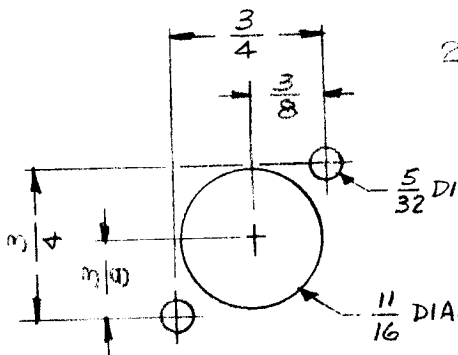
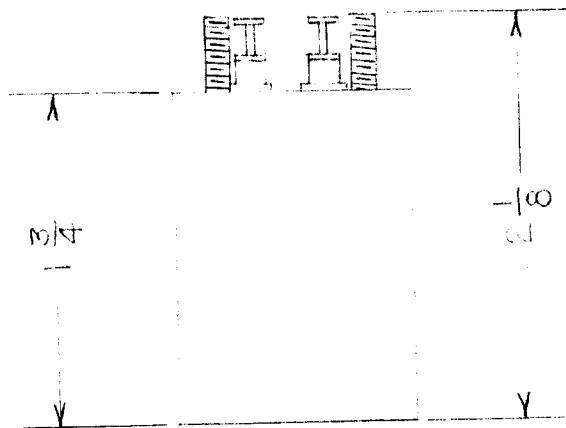
MECHANICAL SPECIFICATIONS

1. CASE - STEEL
2. TERMINALS - CERAMIC
3. FILLER - COMPOUND
4. FINISH - GREY
5. STUDS - 6-32 x $\frac{3}{8}$

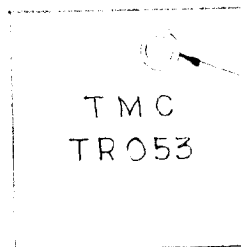
ELECTRICAL SPECIFICATIONS

1. INPUT 1-3 200Ω BALANCED
OUTPUT 2-4 70Ω UNBALANCED
2. FREQUENCY RESPONSE
2-30 MC. ± DB.

SEE CK10033 FOR CONNECTIONS



MOUNTING DIM.



REQ.	ITEM	PART NO.	DESCRIPTION	SYMBOL
			TMC (Canada) LIMITED OTTAWA ONTARIO	
		STOCK SIZE	R.F. TRANSFORMER	
		MATERIAL	OUTPUT AMC 6	
		WEIGHT PER PC.	J.W.T.	
		TYPE & TEMPER	DRAWN	ELEC. DES. APP.
		HEAT TREAT. SPEC.	CHECKED	MECH. DES. APP.
		FINISH & SPEC. NO.	FINAL APPROVAL	
			A-10037	TR-053
				A

A	1	DRILLING PLAN CLARIFIED PIN 4 ADDED TO BOTTOM VIEW	12-4-62	7672	<i>[Signature]</i>	<i>[Signature]</i>
ISSUE	ITEM	CHANGED FROM	DATE	CN. NO.	DRAFTS CHECKER	ENG. APP.

TOLERANCES		SCALE FULL SIZE
ALL OTHERS	DEC. DIM. ± FRAC. DIM. ± ANGULAR DIM. ±	DRILL, PUNCH, COMMERCIAL STOCK SIZES AND MANUFACTURERS TOLERANCES ARE NOT INCLUDED.