

IF IT IS FOUND DESIRABLE TO CHANGE ANY TOLERANCE OR OTHER DETAIL SPECIFIED ON THIS DRAWING NOTIFY THE PURCHASER PROMPTLY.

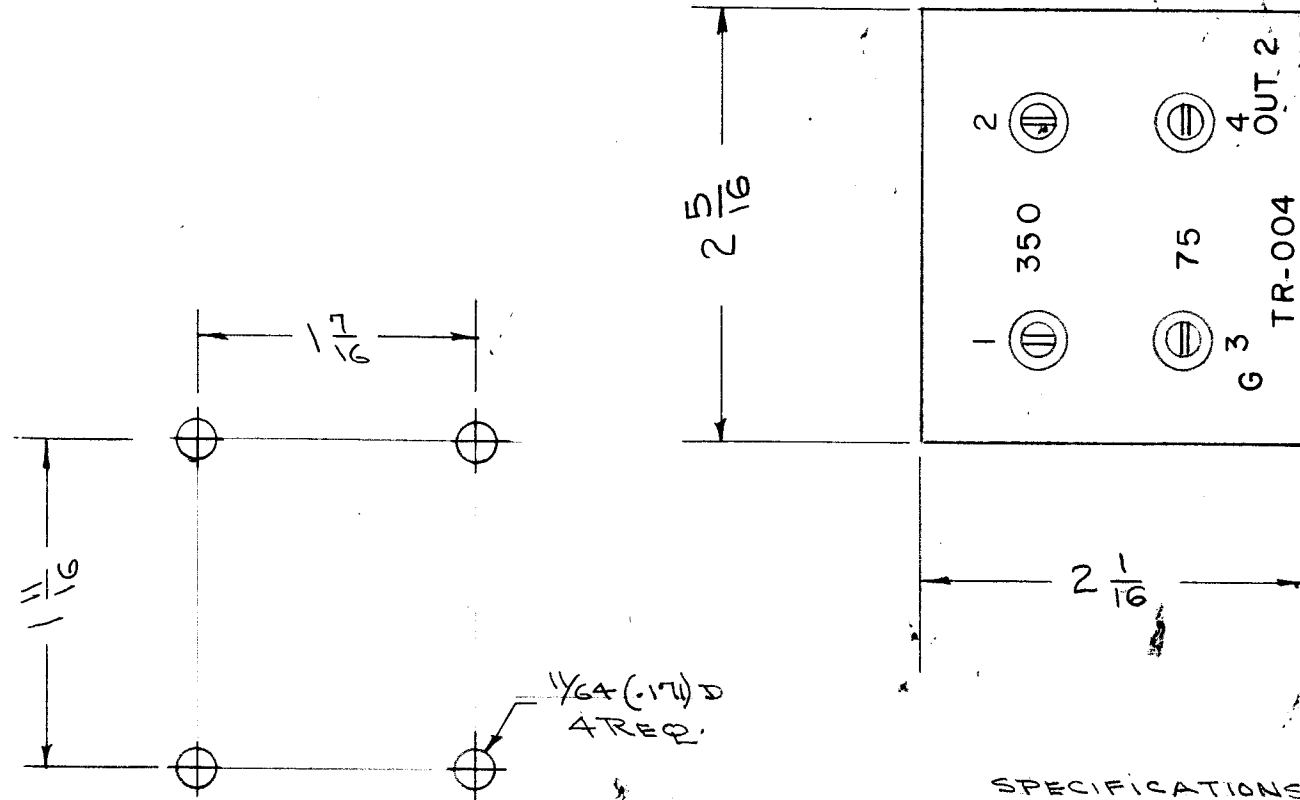
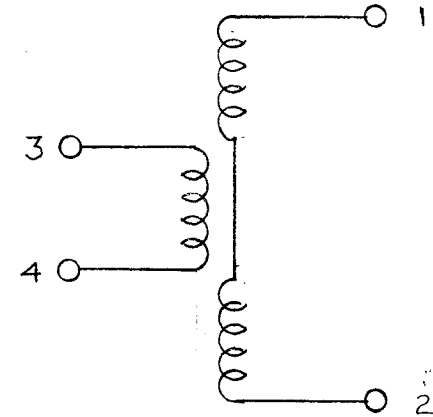
MAXIMUM ALLOWABLE TOLERANCES HAVE BEEN DETERMINED AND DEVIATIONS WILL BE CAUSE FOR REJECTION. REMOVE ALL BURRS AND SHARP EDGES

NOTICE TO PERSONS RECEIVING THIS DRAWING

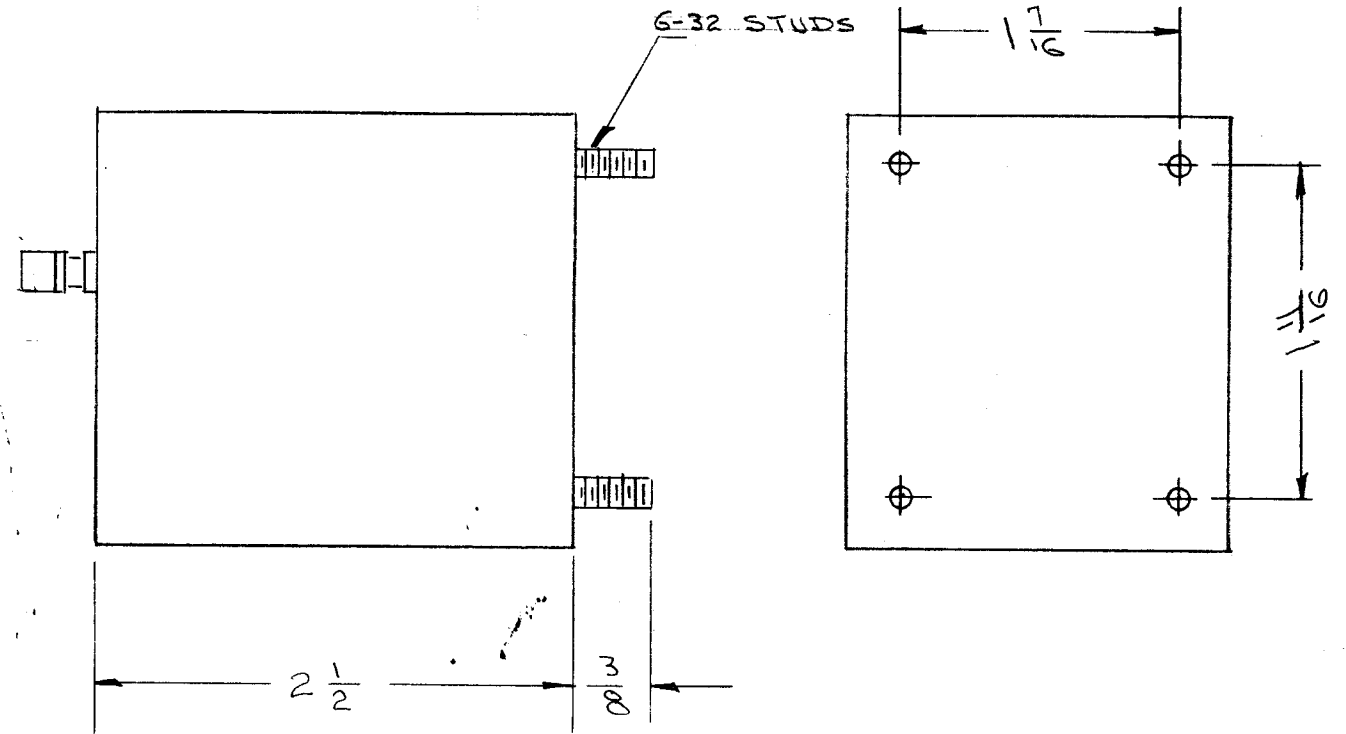
THE TECHNICAL MATERIEL CORPORATION claims proprietary right in the material disclosed hereon. This drawing is issued in confidence for engineering information only and may not be reproduced or used to manufacture anything shown hereon without permission from THE TECHNICAL MATERIEL CORPORATION to the user. This drawing is loaned for mutual assistance and is subject to recall at any time.

Property of:
THE TECHNICAL MATERIEL CORPORATION
MAMARONECK, NEW YORK

TR-004 B



DRILLING PLAN



SPECIFICATIONS :

CASE - STEEL
FINISH - GREY ENAMEL
FREQ. RESPONSE - 100 - 1600 KC ± 2db

ISSUE	ITEM	CHANGED FROM	DATE	CN. NO.	DRAFTS	CHECKER	ENG. APP.
B	1	DIM. CHG'D. FROM 2.012 X 2.240 TO 2-1/16 X 2-5/16 AS PER BX-106	11/9/54	2	16	JAD	[Signature]
A	1	CASE TYPE CHANGED	11/19/54	1	JAD	EOS	AMP

TOLERANCES		SCALE:	
ALL OTHERS	DEC. DIM. ± FRAC. DIM. ± ANGULAR DIM. ±	DRILL, PUNCH, COMMERCIAL STOCK SIZES AND MANUFACTURERS TOLERANCES ARE NOT INCLUDED.	

1	BAC-2	157	A-190	11/19/54
REQ. PER UNIT	MODEL	PROJECT NO.	ASS'Y. NO.	DATE

USED ON

REQ.	ITEM	PART NO.	DESCRIPTION	SYMBOL
			THE TECHNICAL MATERIEL CORP. MAMARONECK, NEW YORK	
STOCK SIZE			TRANSFORMER, RF	
MATERIAL			TR-004	
WEIGHT PER PC.				
TYPE & TEMPER			JAD	[Signature]
DRAWN			ELEC. DES. APP.	MECH. DES. APP.
HEAT TREAT. SPEC.			AMP	AMP
CHECKED			FINAL APPROVAL	
2A-496			TR-004 B	
FINISH & SPEC. NO.				