

5

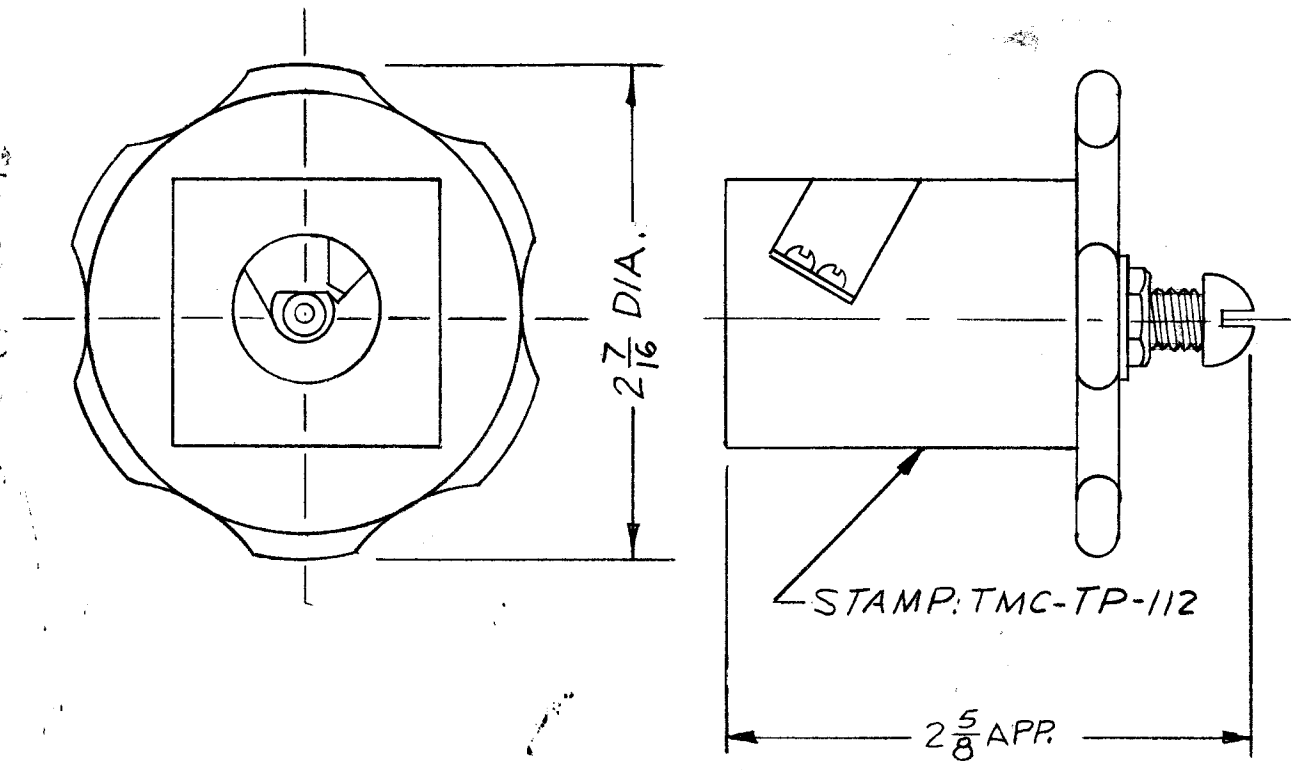
4

3

2

1

REVISIONS						
ZONE	LTR	DESCRIPTION	DATE	E.M.N.NO	DRAFT	CHKD APPD
	X	EXP. RELEASE	2/16/68	+	HG	
	Ø	ORIGINAL RELEASE	8/25/69	Ø	JQ	JQ



QTY / UNIT		MODEL USED ON	ASS'Y NO.	UNLESS OTHERWISE SPECIFIED DIMENSIONS ARE IN INCHES AND INCLUDE CHEMICALLY APPLIED OR PLATED FINISHES		REQ'D	ITEM	PART NUMBER	DESCRIPTION	SYM.	
APPLICATION				DECIMALS .X ± .05 .XX ± .01 .XXX ± .005	FRACTIONS 1/64 ANGLES 0° -30'	A.MARTINENGO		LIST OF MATERIAL			
CODE A				S401-70(3227-1)		FINAL APPR. [Signature]	DATE 8/25/69	THE TECHNICAL MATERIEL CORP. MAMARONECK, NEW YORK			
NOTICE TO PERSONS RECEIVING THIS DRAWING THE TECHNICAL MATERIEL CORPORATION claims proprietary right in the material disclosed hereon. This drawing is issued in confidence for engineering information only and may not be reproduced or used to manufacture anything shown hereon without permission from THE TECHNICAL MATERIEL CORPORATION to the user. This drawing is loaned for mutual assistance and is subject to recall at any time.				MATERIAL	FINISH	ELECT. DES.	DATE 8/27/69	TAPERING TOOL CABLE DIELECTRIC (QDL)			
						CHECKED [Signature]	DATE 2/16/68	SIZE B	CODE IDENT. NO. 82679	DWG NO. TP112	ISSUE Ø
						DRAWN [Signature]	DATE 2/16/68	SCALE	SHEET OF		1