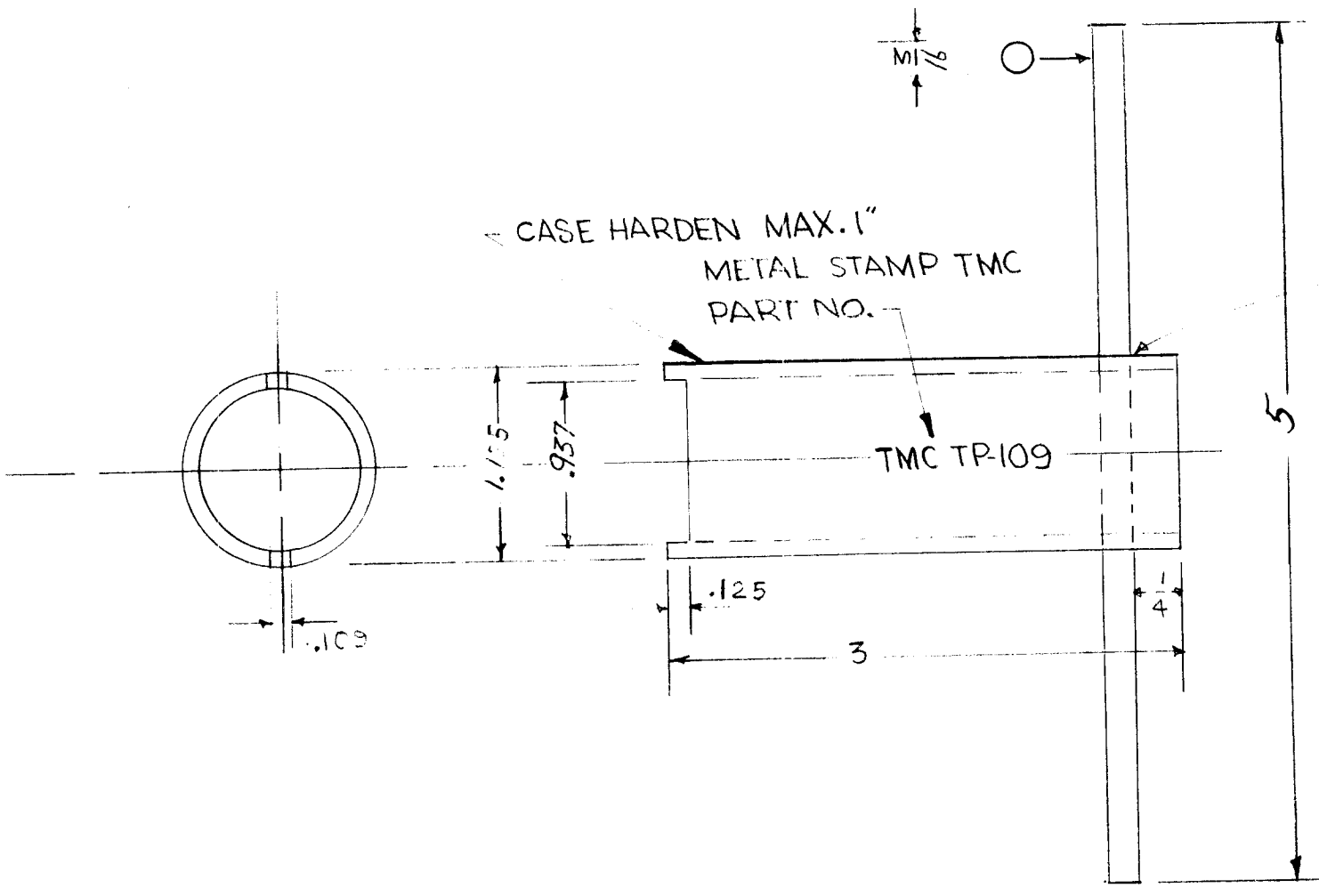


REQ. PER UNIT	USED ON			TP-109	B
	MODEL	ASS'Y. NO.	DATE		



Stake Rod
Both Sides

							REQ. ITEM	PART NO.	DESCRIPTION	SYMBOL
									THE TECHNICAL MATERIEL CORP. MAMARONECK. NEW YORK	
							STOCK SIZE		WRENCH, SOCKET	
							Steel			
							MATERIAL			
B		DELETED DECAL. TURNED TMC PART NO. 90°	6-27-62	6834	R.T.	<i>[Signature]</i>				
A	1	ADDED THIS PART NO. 1/27/63	1/27/63	1	<i>[Signature]</i>	<i>[Signature]</i>				
ISSUE	ITEM	CHANGED FROM	DATE	CH. NO.	DRAFTS	CHECKER	ENG. APP.			
TOLERANCES			SCALE:							
DEC. DIM. ±			MAXIMUM ALLOWABLE TOLERANCES HAVE BEEN DETERMINED AND ANY DEVIATIONS WILL BE CAUSE FOR REJECTION.							
FRAC. DIM. ±			REMOVE ALL BURRS AND SHARP EDGES							
ANGULAR DIM. ±			TYPE & TEMPER		HEAT TREAT. SPEC.		DRAWN		CHECKED	
			Crd. Rustite		S-105		<i>[Signature]</i>		<i>[Signature]</i>	
			FINISH & SPEC. NO.		ELEC. DES. APP.		MECH. DES. APP.		TP-109 B	