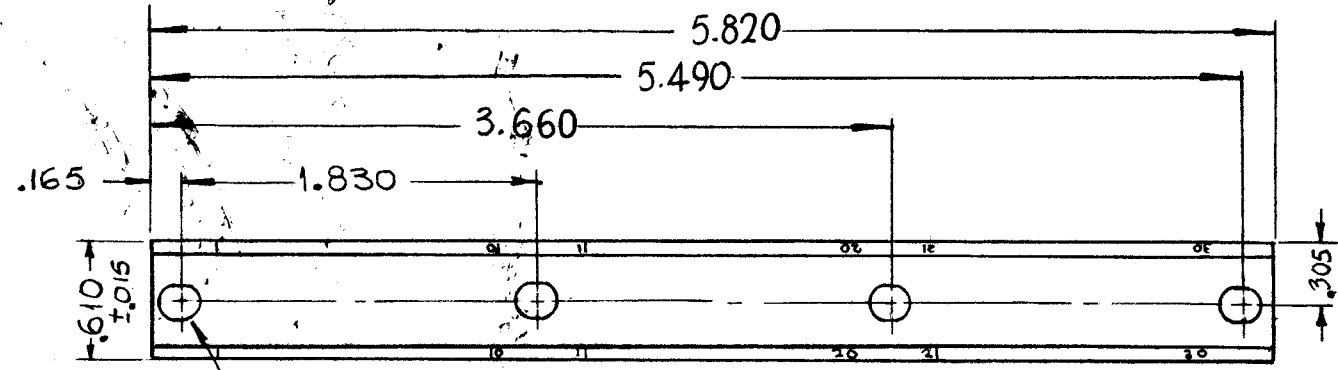


# STANDARD DRAWING

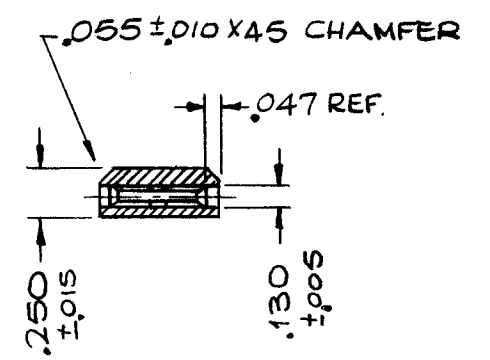
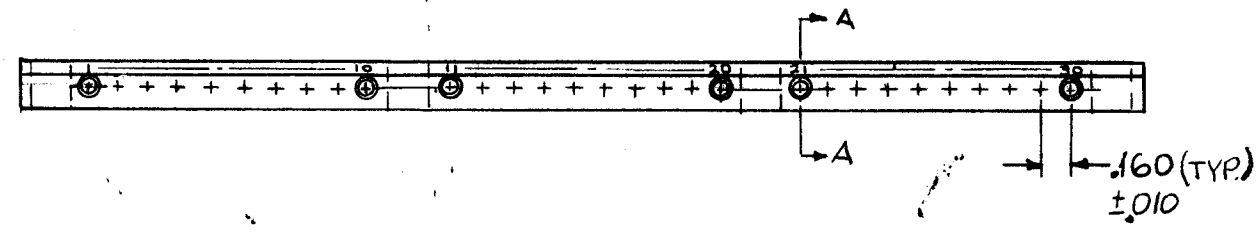
TMC PART NO.	INSERTS
TM128-1	30 SINGLE

COLOR CODE
1. BROWN
2. RED
3. ORANGE
4. YELLOW
5. GREEN
6. BLUE
7. VIOLET
8. GREY
9. WHITE
0. BLACK

A TM128	REVISIONS						
	SYM	DESCRIPTION	DATE	E.M.N. NO.	DRAFT	CHKD	APPD
	X	EXPERIMENTAL RELEASE	10-2-64	X	SRG		
	Ø	ORIGINAL RELEASE FOR PRODUCTION					
A	ON NOTES: MATING PIN WAS TMC PL242-1	10.13.64	12621	SRG	SRG	SRG	



Ø.178 X .202 SLOTS  
(4 REQ.)



SECTION A-A

NOTES:  
 MATERIAL:  
 BLOCK-ZYTEL, 101 NYLON  
 INSERT- BRASS, GOLD PLATE  
 MATING PIN- TMC PL242  
 TOOLS REQUIRED FOR MFR:  
 EXTRACTION TOOL- MFG. #380305-1  
 INSERTION TOOL-MFG# 380430-1

TM128 - 1 + 2  
 BASIC TMC PART NO.    TYPE INSERT    COLOR CODE

## STANDARD DRAWING

VLRB	
Q'TY./UNIT	MODEL USED ON
SCALE 1:1	CODE C
ASS'Y. NO. S401-279 (480107-1 Thru 0)	
THE CONTENTS OF THIS DRAWING ARE THE EXCLUSIVE PROPERTY OF THE TECHNICAL MATERIEL CORP. ITS UNAUTHORIZED USE OR REPRODUCTION IN WHOLE OR IN PART IS STRICTLY FORBIDDEN.	

REQ'D.	ITEM	PART NUMBER	DESCRIPTION	SYMBOL
LIST OF MATERIAL				
MATERIAL			THE TECHNICAL MATERIEL CORP. MAMARONECK, NEW YORK	
FINISH			TITLE	
SEE NOTE			BLOCK, TERMINAL	
SEE CHART				
UNLESS OTHERWISE SPECIFIED DIMENSIONS ARE IN INCHES AND INCLUDE CHEMICALLY APPLIED OR PLATED FINISHES			DRAWN SRG CHECKED @ ELECT. DES. FRD MECH. DES. JC	DATE 10-2-64 DATE 10-5-64 DATE 10/5/64 DATE 11/5/64
DECIMALS .X ± .05 .XX ± .01 .XXX ± .005			FRACTIONS ± 1/64 ANGLES ± 0° 30'	FINAL APPROVAL [Signature] TM128 SHEET REV. LTR. A

NOTES