

IF IT IS FOUND DESIRABLE TO CHANGE ANY TOLERANCE OR OTHER DETAIL SPECIFIED ON THIS DRAWING NOTIFY THE PURCHASER PROMPTLY.

# STANDARD DRAWING

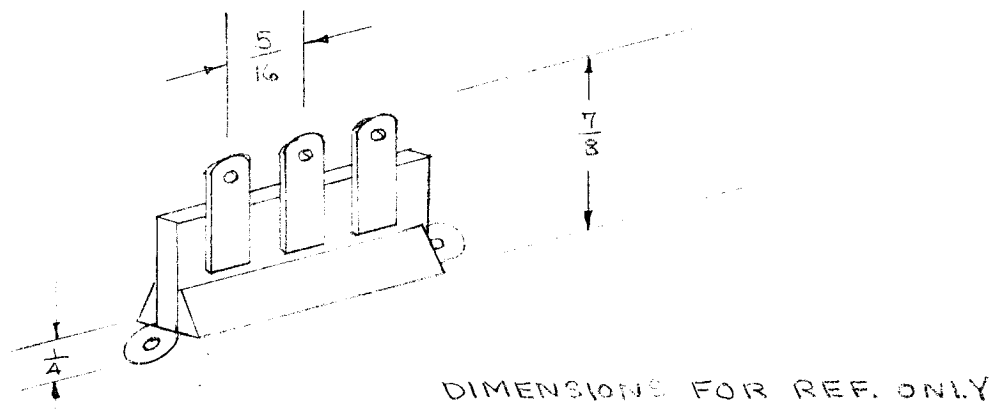
TM-104

MAXIMUM ALLOWABLE TOLERANCES HAVE BEEN DETERMINED AND DEVIATIONS WILL BE CAUSE FOR REJECTION. REMOVE ALL BURRS AND SHARP EDGES

USED ON

MODEL	PROJECT NO.	ASS'Y. NO.	DATE
-------	-------------	------------	------

T.M.C. NO.	CAT. NO.	MTG. HOLE CENTERS	NO. OF TERMINALS
TM-104-1	2002	1	2
TM-104-2	2003	1 5/16	3
TM-104-3	2004	1 5/8	4
TM-104-4	2005	1 13/16	5
TM-104-5	2006	2 1/4	6
TM-104-6	2007	2 9/16	7
TM-104-7	2008	2 7/8	8
TM-104-8	2009	3 3/16	9
TM-104-9	2010	3 1/2	10
TM-104-10	2011	3 13/16	11
TM-104-11	2012	4 1/8	12
TM-104-12	2013	4 7/16	13



INSULATION - BAKELITE  
 BRACKETS - STEEL - CADMIUM PLATED  
 TERMINALS - .019 BRASS, TIN PLATED

REF.: CINCH JONES CO.

REQ.	ITEM	PART NO.	DESCRIPTION	SYMBOL
			<b>THE TECHNICAL MATERIEL CORP.</b> MAMARONECK, NEW YORK	
STOCK SIZE			TERMINAL STRIP	
MATERIAL		WEIGHT PER PC.		
TYPE & TEMPER			C.D.D. 11/18/52	
			DRAWN	ELEC. DES. APP. MECH. DES. APP.
HEAT TREAT. SPEC.			CHECKED	
FINISH & SPEC. NO.			FINAL APPROVAL	
			TM-104	

ISSUE	ITEM	CHANGED FROM	DATE	CN. NO.	DRAFTS	CHECKER	ENG. APP.
TOLERANCES			SCALE				
ALL OTHERS			DRILL, PUNCH, COMMERCIAL STOCK SIZES AND MANUFACTURERS TOLERANCES ARE NOT INCLUDED.				
DEC. DIM. ±							
FRAC. DIM. ± 1/64							
ANGULAR DIM. ±							